

KEYBOARD MOUNT INSTALLATION INSTRUCTIONS

IMPORTANT: To reduce the risk of serious injury, read and understand this entire guide before beginning any installation.



Contents

BEFORE YOU BEGIN:	3
SAFETY WARNINGS:	3
KEYBOARD MOUNT	4
Regular Cleaning	6
WARRANTY	7

BEFORE YOU BEGIN:

1. Check your inventory to be sure you received your entire order. If there are any missing or damaged parts, contact your **Dealer** or **Borroughs Customer Service Manager**.

NOTES: Each cabinet is packaged separately. Each unit features an identification sheet located on the face of the unit. The identification sheet will match the items detailed in contents above.

Lock key-coding is performed after all units are installed. Refer to applicable section of instructions.

2. Read and understand the entire installation instructions prior to beginning the install.

SAFETY WARNINGS:



This symbol is used to address practices not related to personal injury.



A potentially hazardous condition exists that may result in death or serious injury, property damage, or destruction if instructions are not strictly observed.

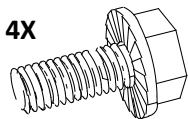


This symbol is used to address practices not related to physical injury.

Once installation is completed, a copy of the installation instruction booklet **MUST** remain with the customer.

Hardware:

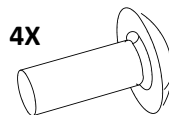
94383-53
Screw ¼-20 x 5/8
Serrated Flange



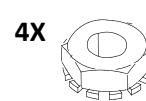
94394-71
Nut ¼-20
Serrated Flange



26511-00
Screw #10-24 x 1/2



07740-00
Nut #10-24



Tools Required:



3/8" & 7/16"

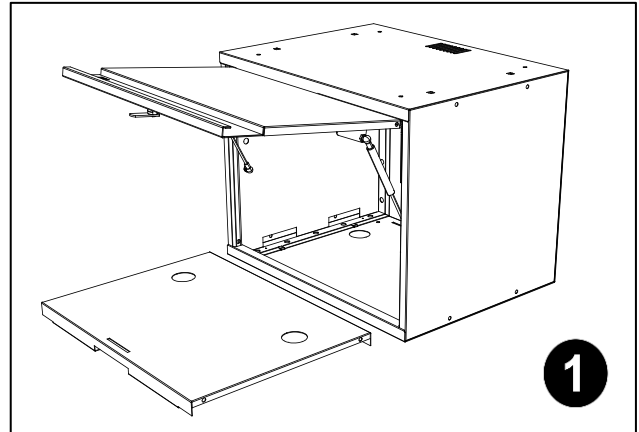


Phillips Screwdriver

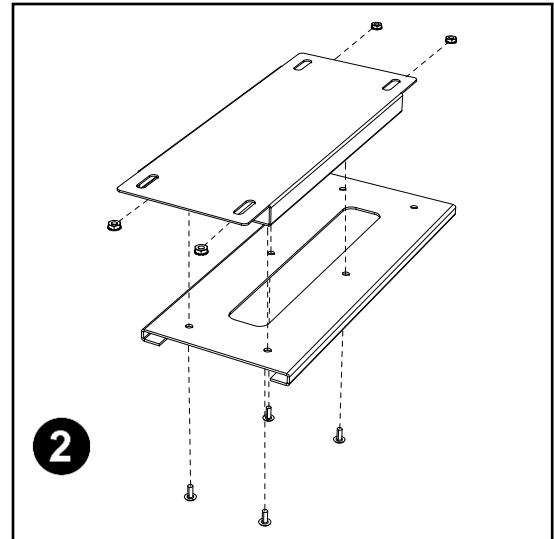
KEYBOARD MOUNT

STEPS

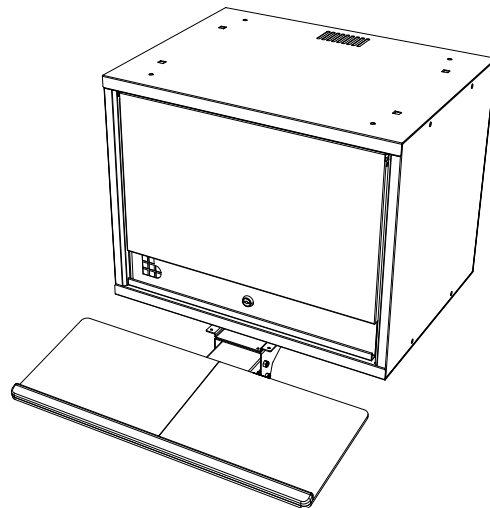
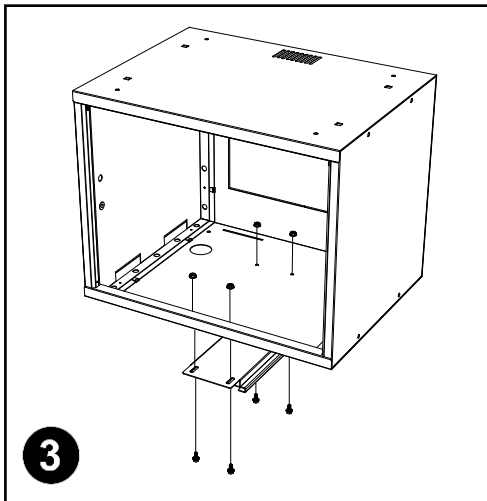
- 1** When installing keyboard mount to a wall mounted upper cabinet, begin by opening flip door and removing bottom pan. Retain pan for reuse. When installing keyboard mount to a riser kit skip to step four (4).



- 2** Bolt the keyboard arm to the mounting plate with (4) 26511-00 screws and (4) 07740-00 nuts.



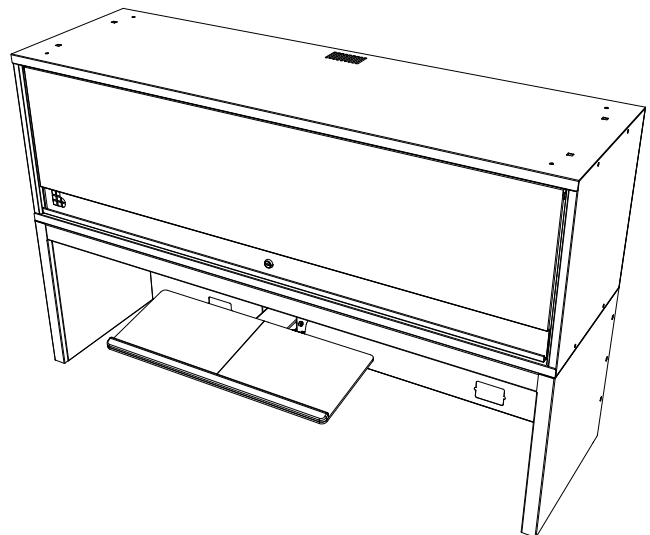
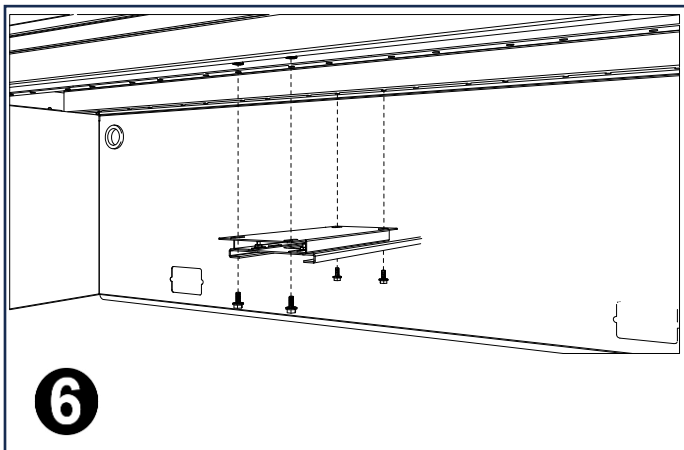
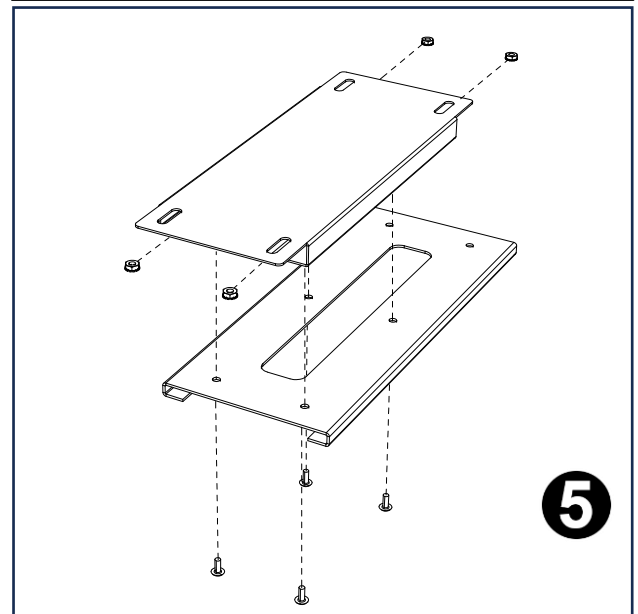
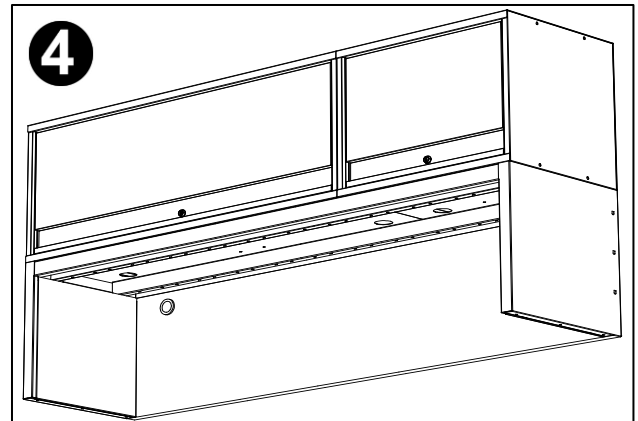
- 3** Use supplied (4) 94383-53 screws and (4) 94394-71 nuts to attach mounting plate and keyboard arm to upper cabinet. Insert bolts through keyboard mounting plate and tighten nuts from inside cabinet (4 places). Refer to keyboard instructions to install the rest of the keyboard tray.



4 When mounting keyboard mount to a riser kit, installation is done from the underside of riser. Hole locations are spaced in six (6) inch increments. Select desired location for keyboard mount.

5 Bolt the keyboard arm to the mounting plate with (4) 26511-00 screws and (4) 07740-00 nuts.

6 Use supplied (4) 94383-53 screws and (4) 94394-71 nuts to attach mounting plate and keyboard arm to riser. Insert bolts through keyboard mounting plate and tighten nuts from inside cabinet (4 places). Refer to keyboard instructions to install the rest of the keyboard tray.





Cabinets **MUST** be bolted together side to side and anchored to the floor before loading to prevent tipping.

Once installation is completed, a copy of the installation instruction booklet **MUST remain with the customer.**

Regular Cleaning

Use a soft clean cloth and mild detergent to wipe the surfaces. Dry completely with a soft clean cloth using straight line motion.



Do not use abrasives (ex. scratchers, steel wool).



WARRANTY

Borroughs extends to the original purchaser from the date of purchase a limited lifetime warranty for Borroughs' Automotive Workstations and Modular Drawer Cabinets against manufacturing defects in material and workmanship. For all other products Borroughs extends to the original purchaser from the date of purchase a 5-year limited warranty against manufacturing defects in material and workmanship.

If a Borroughs product fails to perform because of a manufacturing defect, Borroughs will examine it. If found defective, it will be repaired or replaced at our option. This warranty applies only to Borroughs products acquired directly from Borroughs or from Authorized Borroughs Dealers.

This warranty does not apply to any product which has been subject to misuse, negligence, or accident; has been damaged in shipment, storage, or installation; has been misapplied or has been modified or repaired by unauthorized persons or been repaired with non-standard Borroughs replacement parts. This warranty specifically excludes claims for indirect, incidental, or consequential damages arising in any way from a product defect. This warranty is exclusive, and exists in lieu of all other warranties, either expressed or implied.

This warranty gives you specific legal rights; you may also have other rights which may vary from state to state.

Contact your Borroughs Selling Dealer, to obtain warranty service. You must make a written claim. Provide a copy of your purchase record and a written description of the warranty problem with your claim.

If you are unable to contact your Dealer, contact:

Borroughs, Customer Service Manager
3002 N. Burdick St., Kalamazoo, MI 49004-3483.
Phone: 1-800-748-0227