

# **BOX EDGE PLUS® STEEL SHELVING FRAMED SWINGING DOORS INSTALLATION INSTRUCTIONS**

**IMPORTANT:** To reduce the risk of serious injury, read and understand this entire guide before beginning any installation.



## Contents

BEFORE YOU BEGIN: .....	3
SAFETY WARNINGS: .....	3
FRAMED SWINGING DOORS INSTRUCTIONS .....	4
Regular Cleaning .....	5
WARRANTY .....	6

**BEFORE YOU BEGIN:**

1. Check your inventory to be sure you received your entire order. If there are any missing or damaged parts, contact your **Dealer** or **Borroughs Corporation Customer Service Manager**.
2. Read and understand the entire installation instructions prior to beginning the install.

**SAFETY WARNINGS:**



This symbol is used to address practices not related to personal injury.



A potentially hazardous condition exists that may result in death or serious injury, property damage, or destruction if instructions are not strictly observed.



This symbol is used to address practices not related to physical injury.

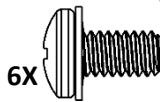
Once installation is completed, a copy of the installation instruction booklet **MUST** remain with the customer.

**Hardware:**

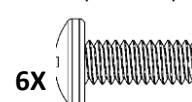
07742-00  
Nut 1/4-20



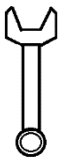
10053-00  
Screw #8-32 x 5/16



13974-00  
Screw 1/4-20 x 5/8



**Tools Required:**



7/16"



Socket Size  
7/16"



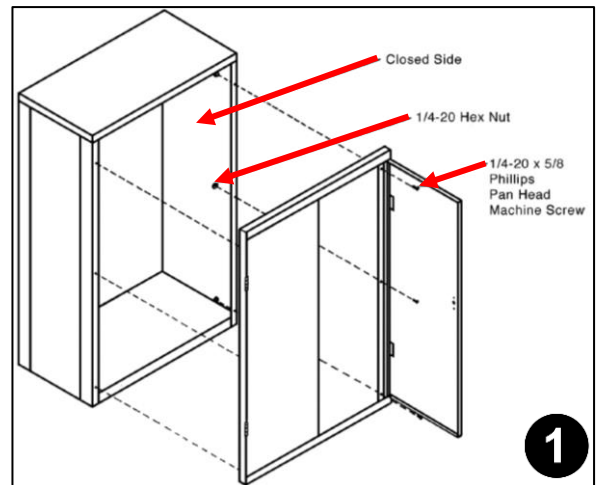


Install as illustrated to obtain proper door motion. Failure to follow these instructions may lead to product instability and/or collapse which may result in personal injury or property damage.

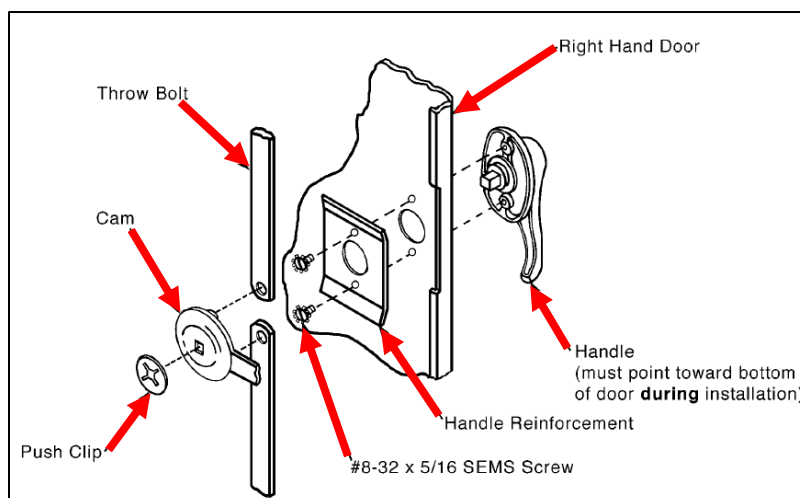
## FRAMED SWINGING DOORS INSTRUCTIONS

### STEPS

- 1** Install framed swinging doors to previously set up unit using three (3) 13974-00 screws and three (3) 07742-00 nuts to each side as shown.
- 2** Level if necessary.



- 3** Align handle over holes on exterior of right hand door as shown below.
  - 4** Align handle reinforcement over same holes on interior of right hand door and attach with two (2) 10053-00 screws.
  - 5** Insert throw bolts through guides and door slots with drilled-hole ends toward handle reinforcement.
  - 6** With latch bar of cam in horizontal position as shown, place throw bolt holes over studs on underside of cam. Align square hole in cam with square shaft of handle and push cam on shaft.
- NOTE:** Both throw bolts will be slightly bent over edges of handle reinforcement when properly installed.
- 7** Install push clip on shaft to secure assembly.
- NOTE:** It may be necessary to use a mallet and round tube to properly seat push clip.



Once installation is completed, a copy of the installation instruction booklet **MUST** remain with the customer.

### **Regular Cleaning**

Clean and lubricate lock, handle, and throw bolt pivot points as necessary. Use a soft clean cloth and mild detergent to wipe the surfaces. Dry completely with a soft clean cloth using straight line motion.



**Do not use abrasives (ex. scratchers, steel wool).**



## WARRANTY

Borroughs Corporation extends to the original purchaser from the date of purchase a limited lifetime warranty for Borroughs' Automotive Workstations and Modular Drawer Cabinets against manufacturing defects in material and workmanship. For all other products Borroughs extends to the original purchaser from the date of purchase a 5-year limited warranty against manufacturing defects in material and workmanship.

If a Borroughs product fails to perform because of a manufacturing defect, Borroughs will examine it. If found defective, it will be repaired or replaced at our option. This warranty applies only to Borroughs products acquired directly from Borroughs Corporation or from Authorized Borroughs Dealers.

This warranty does not apply to any product which has been subject to misuse, negligence, or accident; has been damaged in shipment, storage, or installation; has been misapplied or has been modified or repaired by unauthorized persons or been repaired with non-standard Borroughs replacement parts. This warranty specifically excludes claims for indirect, incidental, or consequential damages arising in any way from a product defect. This warranty is exclusive, and exists in lieu of all other warranties, either expressed or implied.

This warranty gives you specific legal rights; you may also have other rights which may vary from state to state.

Contact your Borroughs Selling Dealer, to obtain warranty service. You must make a written claim. Provide a copy of your purchase record and a written description of the warranty problem with your claim.

If you are unable to contact your Dealer, contact:  
**Borroughs Corporation, Customer Service Manager**  
**3002 N. Burdick St., Kalamazoo, MI 49004-3483.**  
**Phone: 1-800-748-0227**