



Aisle-Saver[®] Synergy Series™

Seismic/Anti-tilt Track

Technical Data:

■ Seismic/Anti-tilt Track

Three piece welded track construction provides a 3/4" wide wheel-to-rail contact surface for strength and durability. An 8 gauge "C" channel, with interconnecting gripper plates attached to the carriage, provides superior seismic/anti-tilt protection.

■ Seismic Gripper Plates

Plates are made from 10 gauge steel which bolt directly to the carriage interconnects with the seismic "C" channel for seismic and/or anti-tip protection, 3/4" wide x 3/4" deep.

■ Tensile Strength

The tensile strength of the rail is a minimum of 135 KSI, and yield strength is a minimum of 118 KSI.

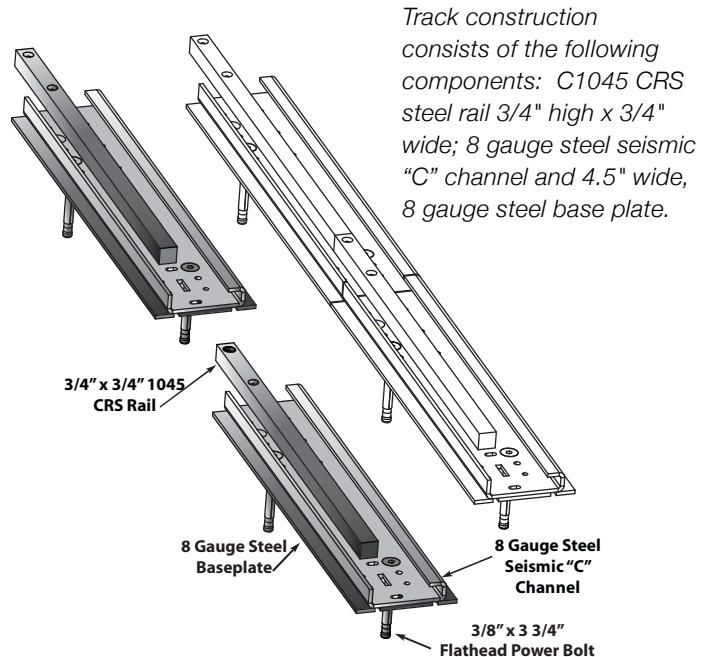
■ Track Leveling

Track splices are overlapping and securely fastened for positive vertical and horizontal alignment and even load transfer. Track leveling uses shims or leveling screws. Track is anchored using 3/8" concrete sleeve anchors. A continuous grout bed of not less than 3/8" is applied underneath the track baseplate.

The track is leveled to 3/32" maximum variation from true level with-in any module; 1/16" maximum variation between adjacent tracks; 1/32" maximum variation in 10' rail length, along any track.

■ Track Capacity

Capacity is designed and manufactured to carry a load of 1,000 pounds per linear carriage foot.



Benefits:

- Superior seismic/anti-tilt protection
- Track is flush with the walking surface after decking or concrete is installed
- Track can be attached to the top of, or recessed in a floor
- C1045 CRS rails are strong and durable
- Design applicable to Seismic Zone 4
- Filler inserts provide a barrier-free floor assembly
- Rail is same hardness as wheels to ensure less wear

Contact Us:



3002 N. BURDICK STREET • KALAMAZOO, MI • 49004-3483
www.borroughs.com • 800-748-0227 • FAX: 269-342-4161
Form # ASTD-Seismic • Printed in the U.S.A. • 2013

ISO 14001:2004 & 9001:2008 Registered