

# **BASIC WORKBENCH, CONTINUOUS BENCH WITH COMMON LEG AND ACCESSORIES INSTALLATION INSTRUCTIONS**

**IMPORTANT:** To reduce the risk of serious injury, read and understand this entire guide before beginning any installation.



## Contents

BEFORE YOU BEGIN: .....	3
SAFETY WARNINGS:.....	3
Basic Workbench .....	4
Workbench with All-Wood Top.....	5
Continuous Bench with Common Leg .....	6
Shelf for Basic Workbench .....	7
Shelf for Continuous Bench with Common Leg.....	7
Footrest for Basic Work Bench .....	8
Footrest for Continuous Bench with Common Leg .....	8
End Guards .....	9
Back Guard .....	9
End Guards and Back Guard Combined.....	9
Back & End Filler Panels .....	10
Ledge Riser for Work Bench Without End Guards and Back Guard .....	10
Ledge Riser for Work Bench with End Guards and Back Guard .....	11
Portable Bench .....	11
WARRANTY .....	12

## BEFORE YOU BEGIN:

1. Check your inventory to be sure you received your entire order. If there are any missing or damaged parts, contact your **Dealer** or **Borroughs Corporation Customer Service Manager**.

**NOTES:** Each workbench is packaged separately. Each unit features an identification sheet located on the face of the unit. The identification sheet will match the items detailed in contents above.

2. Read and understand the entire installation instructions prior to beginning the install.

## SAFETY WARNINGS:



This symbol is used to address practices not related to personal injury.



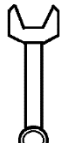
A potentially hazardous condition exists that may result in death or serious injury, property damage, or destruction if instructions are not strictly observed.



This symbol is used to address practices not related to physical injury.

Once installation is completed, a copy of the installation instruction booklet **MUST** remain with the customer.

## Tools Required:



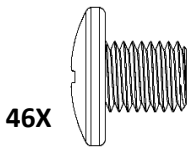
1/2"



1/4"

## Hardware:

07792-00  
Screw 5/16-18 X 1/2



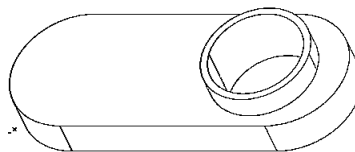
46X

17213-00  
Nut 5/16-18



39X

100530-00  
Weldnut 5/16-18



8X

41801-00  
Washer 1/4"



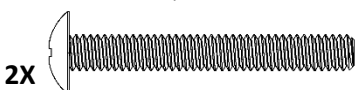
2X

07742-00  
Nut 1/4-20



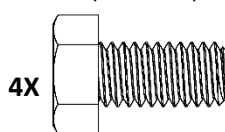
2X

07791-00  
Screw 1/4-20 x 2



2X

07764-00  
Screw 5/16-18 x 5/8



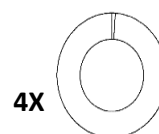
4X

07737-00  
Nut 7/16-14



4X

07843-00  
Washer 7/16



4X

## Basic Workbench

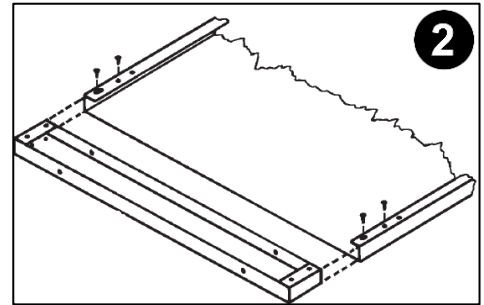


Do not tip bench on its side, without a shelf attached as it is unstable and may cause damage. Must use two people to rotate bench.

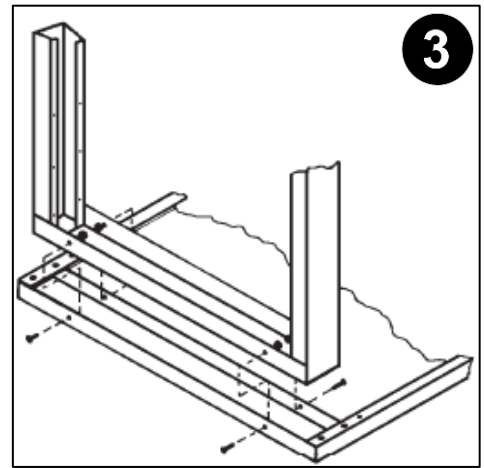
### STEPS

**1** Lay bench top face down on a flat clean surface; such as blanket or cardboard to protect from scratching.

**2** Insert leg attachment channel into bench top with open area of channel facing upward. Position attachment channel so that holes in end flanges are in line with oval and first hole in front and back flanges of benchtop. Use four (4) 07792-00 screws and 17213-00 nuts to loosely fasten leg and channel together. Repeat procedure on the other end.



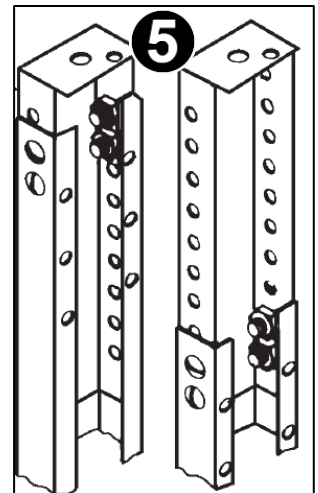
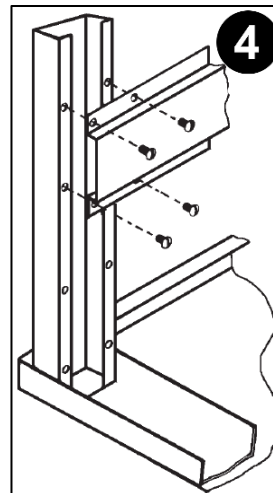
**3** Stand leg weldment in place (leg fits inside attachment channel). Position leg so that holes in sides of leg weldment are in line with the holes in the side of the attachment channel. Loosely fasten leg and channel together with four (4) 07792-00 screws and 17213-00 nuts. Repeat procedure on the other end.



Do not tip bench on its side, without a shelf attached as it is unstable and may cause damage. Must use two people to rotate bench.

**4** Attach stringer to legs along back edges of bench (Borroughs is stamped in front edge of bench). Position stringer so that holes in end of stringer are in line with holes in leg. Fasten stringer to leg with four (4) 07792-00 screws and 100530-00 weldnuts. Repeat procedure at the other end. Tighten screws holding leg weldments and attachment channels together.

**5** Insert adjustable foot or caster bracket into leg so that holes in the sides of foot or bracket are aligned with holes in sides of leg. At desired height, fasten foot to leg with four (4) 07792-00 screws and 17213-00 nuts or fasten caster bracket with two (2). Repeat procedure for other legs. Tighten all hardware. This completes assembly of Basic workbench. Put bench in upright position.



## Workbench with All-Wood Top



Do not tip bench on its side, without a shelf attached as it is unstable and may cause damage. Must use two people to rotate bench.

### STEPS

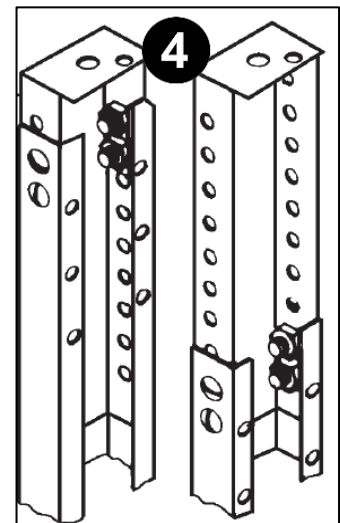
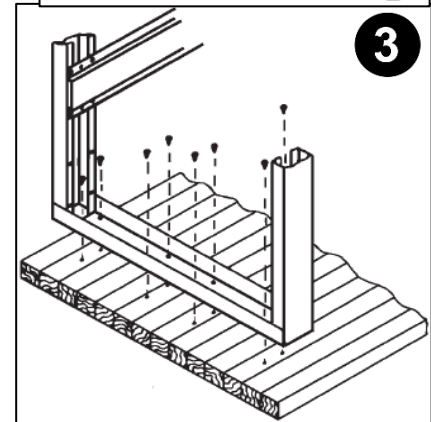
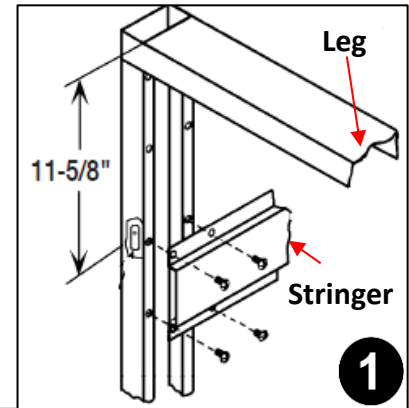
**1** Attach stringer to leg weldment. Position stringer so that holes in end of stringer are in line with holes in legs; locate approximately 11-5/8" down from top of leg weldment. Fasten stringer to leg with four (4) 07792-00 screws and 100530-00 weldnuts provided. Repeat step for opposite end.

**2** Lay bench top face down on a flat clean surface; such as blanket or cardboard to protect from scratching

**3** Place leg weldment and stringer assembly upside down on bench top. Stringer should be placed toward back edge of bench top. Position leg weldment and stringer assembly so it is centered on bench top and legs are parallel to end of bench. Use leg weldments as templates and drill eight (8) 1/4" pilot holes x 1" deep for lag screws at each end of bench top. Fasten leg weldment and stringer assembly to bench top with eight (8) .312 (5/16") x 1" lag screws.

**NOTE: Lag screws are not furnished by manufacturer.**

**4** Insert adjustable foot into leg so that holes in the sides of foot are aligned with holes in sides of leg. At desired height, fasten foot to leg with four (4) 07792-00 screws and 17213-00 nuts. Repeat procedure for other legs. Tighten all hardware. This completes assembly of Basic workbench. Put bench in upright position.

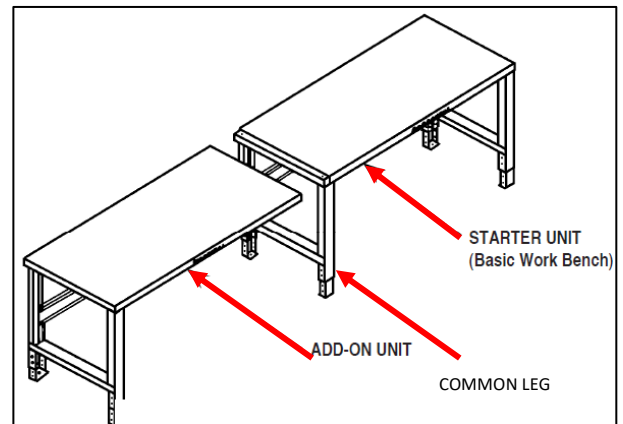


## Continuous Bench with Common Leg

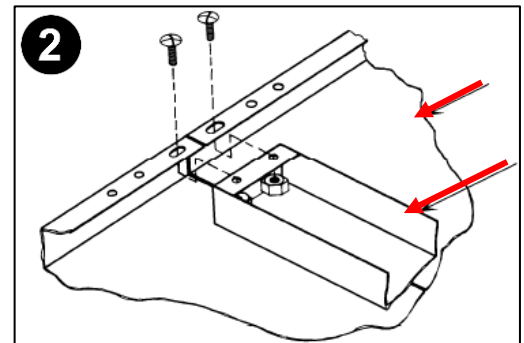
Benches over six (6) feet long may be obtained by placing end to end, a starter unit and an add-on unit. Each add-on unit contains one (1) bench top, one (1) stringer, one (1) leg attachment channel, one (1) leg weldment and two (2) adjustable feet, and associated hardware.

### STEPS

- 1 Lay bench top face down on a flat clean surface; (such as blanket or cardboard to protect from scratching). Placing them end to end to completed steps 1-3 for both benches. Once completed turn benches to upright positions to connect.

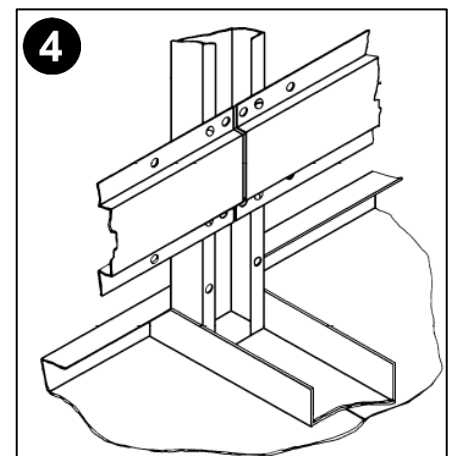


- 2 Insert leg attachment channel into bench tops. Position channel so that the holes in end flanges are in line with the oval in each of bench tops, where tops are end to end. Fasten channel to the tops with four (4) screws and nuts as provided.



- 3 Fasten end flanges of attachment channels to bench top as stated in step 2 of the basic work bench instructions (refer to page 4). Assemble one each end.

- 4 Fasten leg weldments to attachment channels as stated in Step 3 of the Basic Work Bench instructions (refer to page 4). Fasten one on each end and one on the common attachment channel.



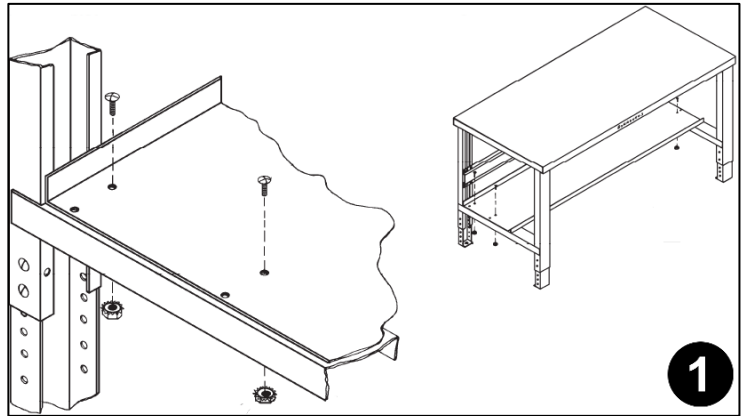
- 5 The stringer is to be attached to legs along back edge of unit. (BORROUGHS is stamped on the front edge of benchtop). Position stringer so that second set of holes are in line with two holes in inside of leg. Fasten stringer to leg with two (2) screws and weldnuts as provided. The second stringer is to be fastened to the other side of the leg in the same manner. The other ends of stringers are attached as stated in Step 4 of the Basic Work Bench instructions. Tighten screws holding leg weldment s and attachment channels together.

- 6 Fasten adjustable feet to legs as stated in Step 5 of the Basic Work Bench instructions (refer to page 4). Fasten one foot of each leg. This completes assembly of the Continuous Bench with Common Leg.

## Shelf for Basic Workbench

### STEPS

- 1** Place shelf on shelf supports between legs of workbench with back edge of shelf (edge with 90° flange is back) approximately .062 (1/16") from back legs of workbench. Position shelf so two inner holes on each end of shelf are in line with two (2) inner holes of each shelf support. Fasten shelf to shelf supports with four (4) 07792-00 and 17213-00. This completes assembly of shelf assembly for basic workbench.



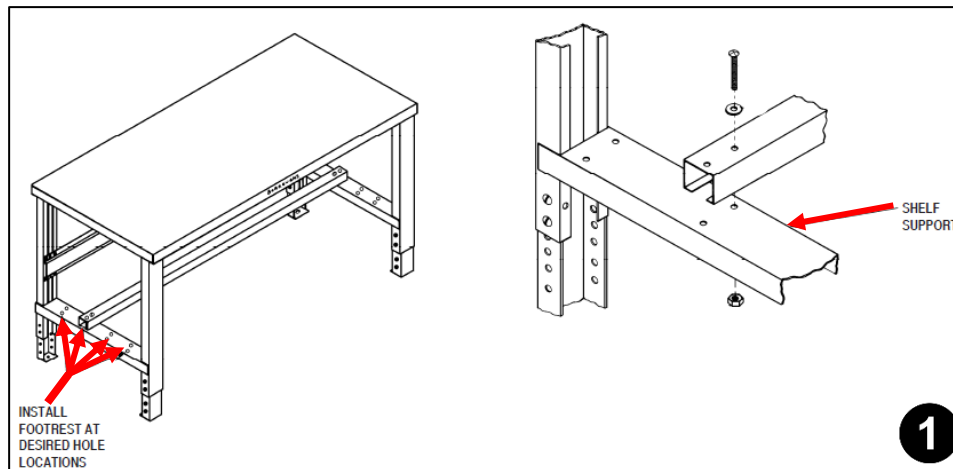
## Shelf for Continuous Bench with Common Leg

- 1** Place shelf on shelf supports between legs of work bench with back edge of shelf (edge with 90° flange is back) approximately .062 (1/16") from back legs of work bench. Position shelf so two inner holes in end of shelf on shelf support, are in line with two inner holes of the shelf support.
- 2** The two outer holes, in shelf end that is on common shelf support, are to be aligned with two inner holes in common shelf support. Fasten shelf to shelf supports with four (4) screws and nuts as provided. Repeat procedure with other shelf on the other side of the common shelf support.
- 3** If more than two (2) benches will be strung together in a continuous row, with a common leg between each, the two outer holes in shelf will always align with the respective inner holes in the common shelf support. This completed the shelf assembly for the Continuous Work Bench with Common Leg.

## Footrest for Basic Work Bench

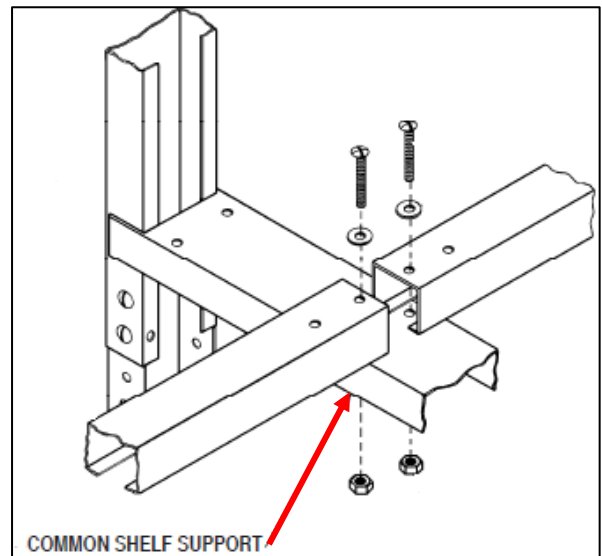
### STEPS

- 1 Place footrest on shelf supports between legs of work bench with open area of footrest channel facing downward. Position footrest so that the inner holes, in each end of footrest, are in line with inner holes in each shelf support (**NOTE:** Footrest can be positioned at any one of four (4) locations in the shelf supports). Fasten footrest to shelf supports with two (2) screws, washers, and nuts as provided, one (1) each end. This completes the Footrest assembly for Basic Work Bench.



## Footrest for Continuous Bench with Common Leg

- 1 Place footrest on shelf supports between legs of work bench with open area of footrest channel facing downward. Position footrest so that the inner hole, in the end of footrest on end shelf supports, is in line with the inner hole of shelf support.
- 2 The outer hole, in footrest end, that is sitting on common shelf support is to be aligned with inner hole in the common shelf support. (**NOTE:** The footrest can be positioned at any one of four-hole locations on the shelf supports). Fasten footrest to the shelf supports with two (2) screws, washers, and nuts as provided. Repeat procedure with the other footrest on the other side of the common shelf support.
- 3 If more than two (2) benches will be strung together in a continuous row, with a common leg between each, the outer hole in footrest will always align with respective inner hole in the common shelf support. This completed the footrest assembly for the Continuous Work Bench with Common Leg.

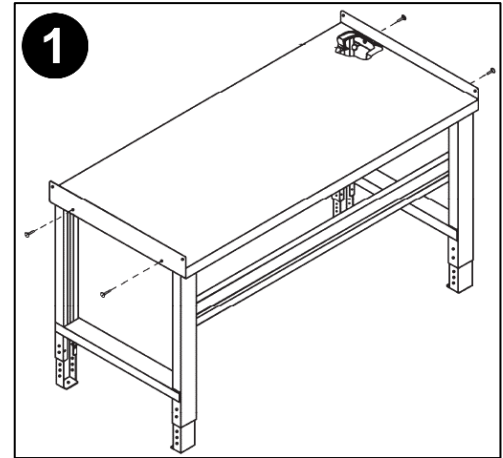




## End Guards

### STEPS

- 1 Position end guard so that two (2) holes align with holes in side of attachment channel. Fasten end guard to channel with two (2) 07792-00 and 17213-00. Repeat procedure at the other end. This completes end guard assembly.

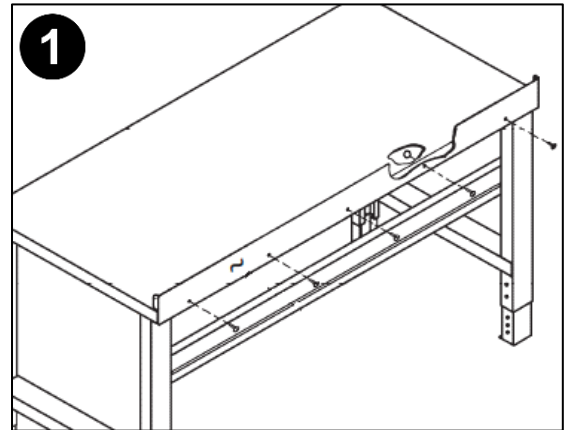


## Back Guard

### STEPS

- 1 Position back guard so that ovals in lower edge of back guard are in line with holes in back edge of bench top. (Flanges on back guard are to be facing toward front). Fasten back guard to bench top with five (5) 07792-00 and 17213-00. This completes back guard assembly

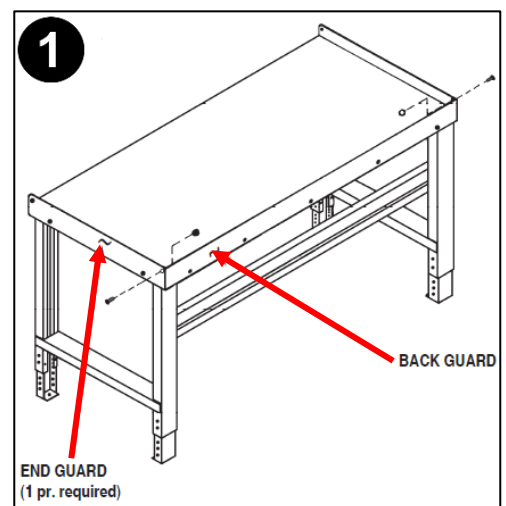
**NOTE:** The extra two (2) screws and nuts are used when the end guards and back guard are combined on workbench.



## End Guards and Back Guard Combined

### STEPS

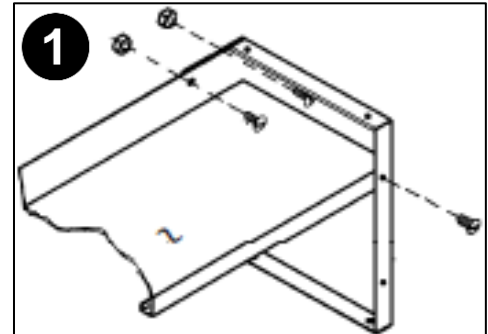
- 1 Attach end guards and back guard to work bench as stated in separate assemblies for end guards and back guard above. Flanges on back guard are to be located inside of end guards. Fasten end guards to back guard with one (1) 07792-00 and 17213-00 at each corner. This completes assembly for end guards and back guard combined.



## Back & End Filler Panels

### STEPS

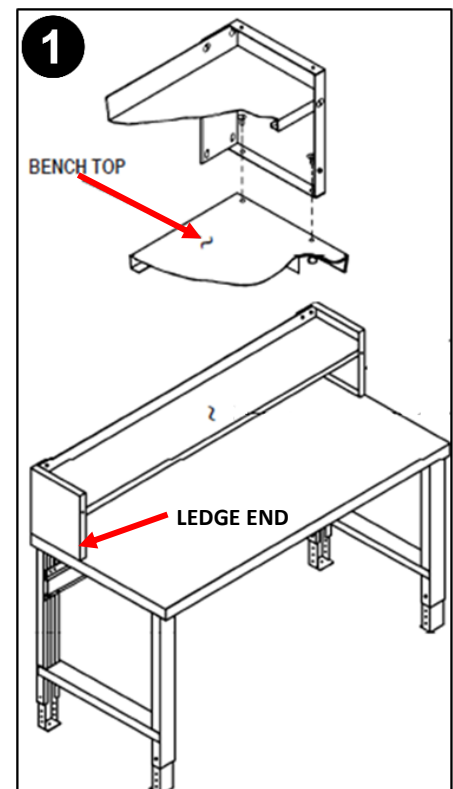
- 1** Place end of ledge shelf in between flanges of ledge end. The two (2) holes on back of shelf must align with top two (2) ovals on rear flange of ledge end. Align hole in front flange of ledge shelf with top hole on front flange of ledge end. Fasten ledge shelf to ledge end with three (3) screws and nuts as provided. Repeat procedure at the other end.



## Ledge Riser for Work Bench Without End Guards and Back Guard

### STEPS

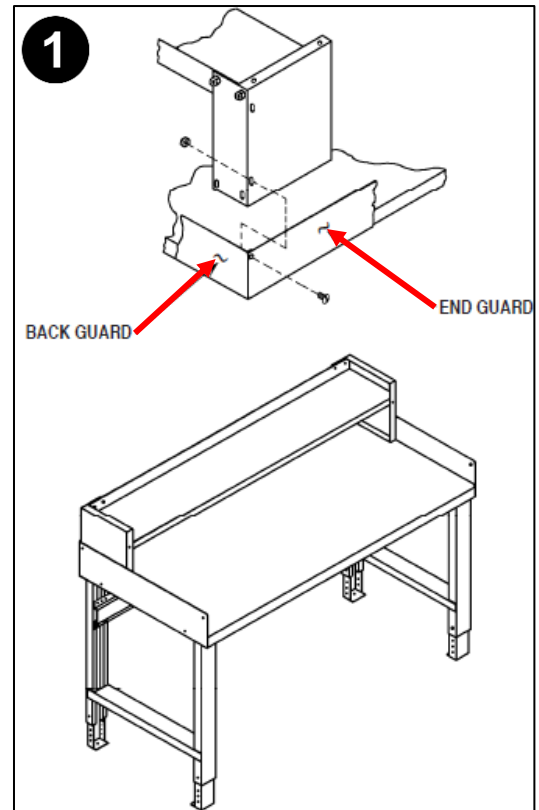
- 1** Place ledge assembly on bench top so that rear flanges and sides of ledge ends are flush with back and sides of bench top. Mark location of two (2) holes of bottom flange of ledge end, on bench top, at each end. Remove ledge assembly and drill two (2) .344 (11/32 inches) dia. Holes at marked locations at each end of bench top. Reposition ledge assembly so that holes in bottom flanges of ledge ends align with the drilled holes. Fasten ledge assembly to bench top with four (4) screws and nuts as provided, two (2) each end. This completes assembly of Ledge Riser for the Work Bench Without End Guards and Back Guard.



## Ledge Riser for Work Bench with End Guards and Back Guard

### STEPS

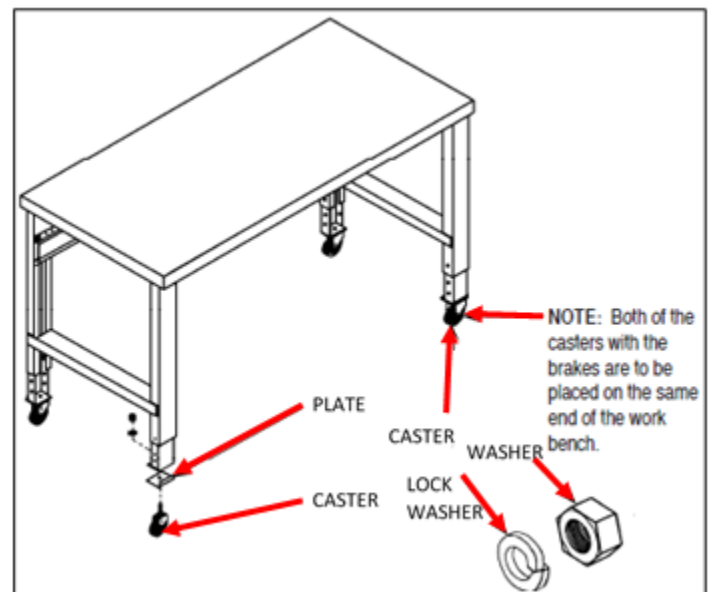
- 1 Place ledge assembly on bench top flush against end guards and/or back guard. The bottom oval in the sides of ledge ends must align with hole in back corner of end guards and/or hole in end flanges of back guard. Fasten ledge assembly to end guards and/or back guard with one (1) screw and nut as provided. If both end guards and a back guard are on work bench, remove hardware holding two (2) pieces together at each rear corner. Position ledge assembly to align with the holes in guards as stated in the beginning of this step and fasten ledge assembly to guards with hardware originally provided. This completed the assembly of Ledge Riser for the Work Bench Without End Guards and Back Guard.



## Portable Bench

### STEPS

- 1 Place work bench upside down on a flat clean surface.
- 2 Position heavy duty plate on adjustable foot. The flange on heavy duty plate is to be placed along front edge of adjustable foot. Insert threaded stem of caster through holes in heavy duty plate and the adjustable foot. Fasten three (3) items together with one (1) washer and nut as provided. Repeat procedure with other three (3) adjustable feet.
- 3 Adjust bench to desired height. Place unit in upright position. This completes assembly of the Portable Bench.





**Once installation is completed, a copy of the installation instruction booklet MUST remain with the customer.**

## **WARRANTY**

Borroughs Corporation extends to the original purchaser from the date of purchase a limited lifetime warranty for Borroughs' Automotive Workstations and Modular Drawer Cabinets against manufacturing defects in material and workmanship. For all other products Borroughs extends to the original purchaser from the date of purchase a 5-year limited warranty against manufacturing defects in material and workmanship.

If a Borroughs product fails to perform because of a manufacturing defect, Borroughs will examine it. If found defective, it will be repaired or replaced at our option. This warranty applies only to Borroughs products acquired directly from Borroughs Corporation or from Authorized Borroughs Dealers.

This warranty does not apply to any product which has been subject to misuse, negligence, or accident; has been damaged in shipment, storage, or installation; has been misapplied or has been modified or repaired by unauthorized persons or been repaired with non-standard Borroughs replacement parts. This warranty specifically excludes claims for indirect, incidental, or consequential damages arising in any way from a product defect. This warranty is exclusive, and exists in lieu of all other warranties, either expressed or implied.

This warranty gives you specific legal rights; you may also have other rights which may vary from state to state.

Contact your Borroughs Selling Dealer, to obtain warranty service. You must make a written claim. Provide a copy of your purchase record and a written description of the warranty problem with your claim.

If you are unable to contact your Dealer, contact:  
**Borroughs Corporation, Customer Service Manager,  
3002 N. Burdick St., Kalamazoo, MI 49004-3483.  
Phone: 1-800-748-0227**