

MINI-MEZZANINE SYSTEM INSTALLATION INSTRUCTIONS

IMPORTANT: To reduce the risk of serious injury, read and understand this entire guide before beginning any installation.



Contents

BEFORE YOU BEGIN:	3
SAFETY WARNINGS:.....	3
Anchoring Instructions	4
MINI-MEZZ INSTALL OVERVIEW	4
Part 1: Drawer Removal / Cabinet Linking	5
Part 2: Stair Install	6
Part 2 (continued): Walkway Install	7
Part 3: Handrail Install	8
Part 4: End Caps / Drawer Install.....	9
Regular Cleaning.....	10
WARRANTY	11

BEFORE YOU BEGIN:

1. Check your inventory to be sure you received your entire order. If there are any missing or damaged parts, contact your **Dealer** or **Borroughs Corporation Customer Service Manager**.

NOTES: Each cabinet is packaged separately. Each unit features an identification sheet located on the face of the unit. The identification sheet will match the items detailed in contents above.

2. Read and understand the entire installation instructions prior to beginning the install.

SAFETY WARNINGS:



This symbol is used to address practices not related to personal injury.



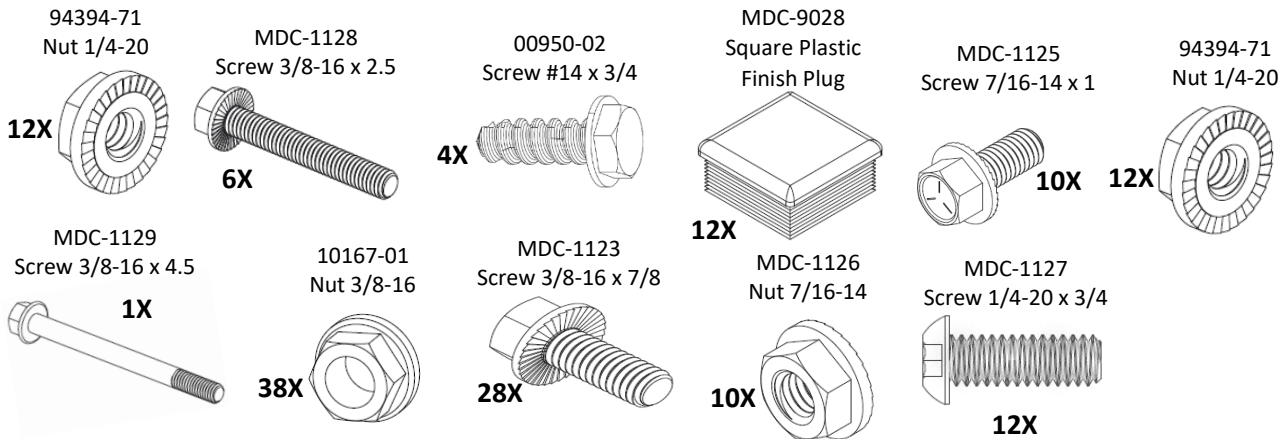
A potentially hazardous condition exists that may result in death or serious injury, property damage, or destruction if instructions are not strictly observed.



This symbol is used to address practices not related to physical injury.

Once installation is completed, a copy of the installation instruction booklet **MUST** remain with the customer.

Hardware:



Tools Required:



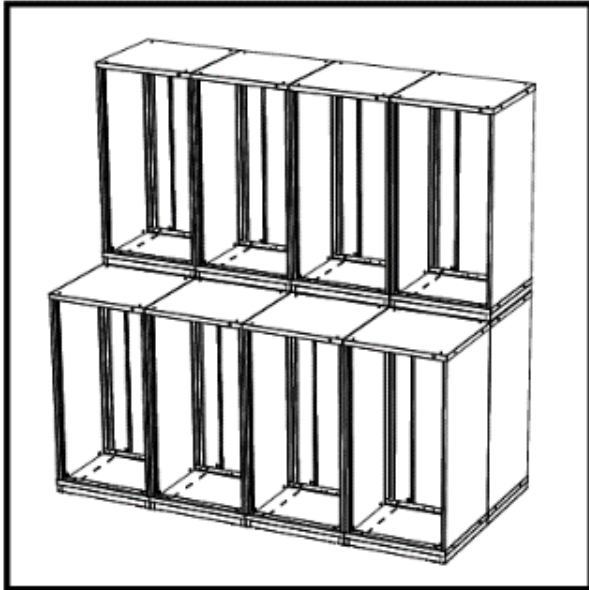
Cabinets MUST be bolted together side to side and anchored to the floor before loading to prevent tipping.

Anchoring Instructions

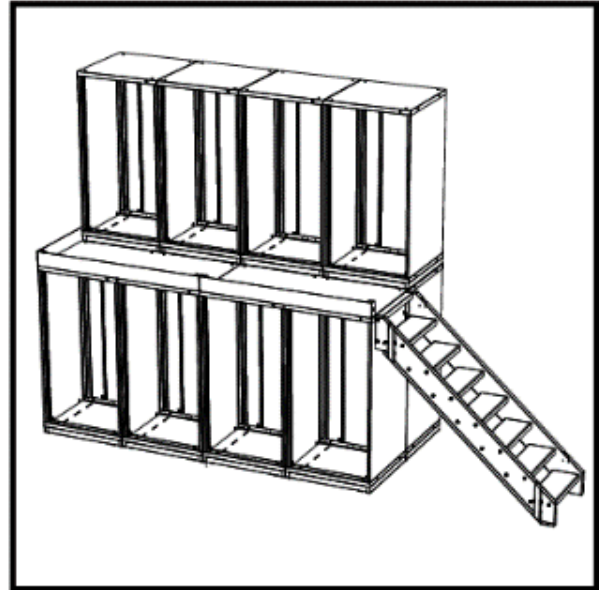
- All cabinets on the floor must be bolted side to side, back to back and to the floor
- All cabinets on the second level must be bolted side to side and bottom to top of cabinets below
- The stair stringers have mounting holes for anchoring to floor, if needed

MINI-MEZZ INSTALL OVERVIEW

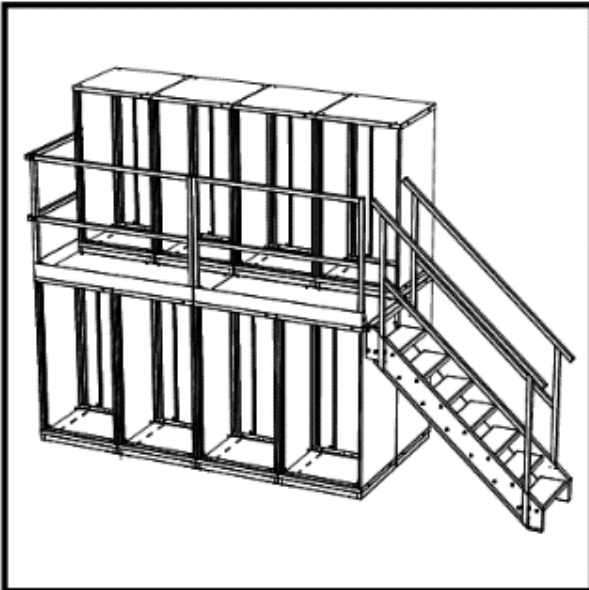
1 Drawer Removal / Cabinet Linking



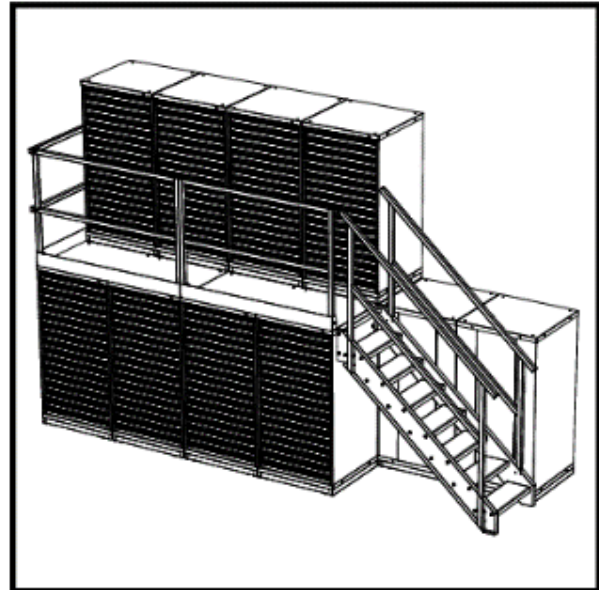
2 Stair / Walkway Install



3 Handrail Install



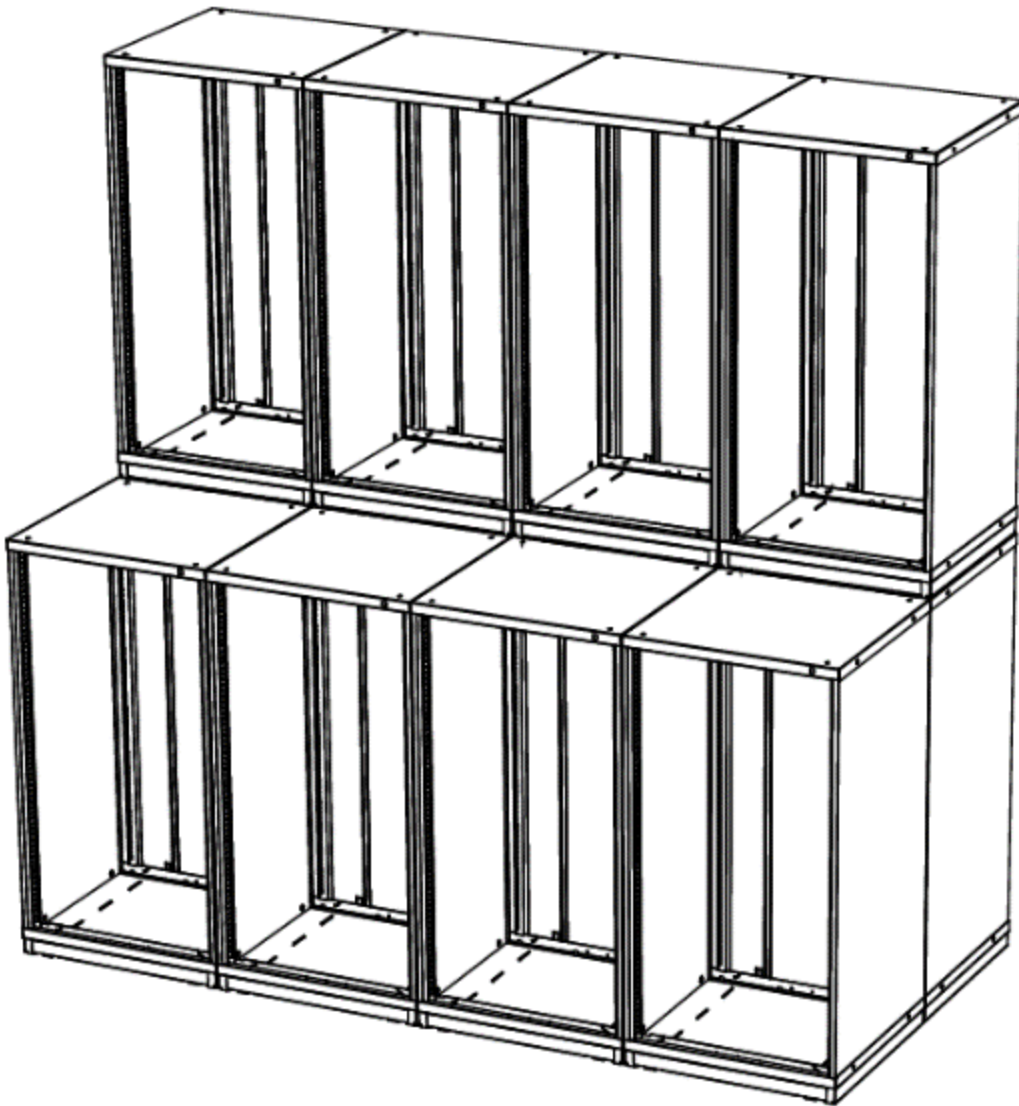
4 Drawer Install / Finishing Touches



Part 1: Drawer Removal / Cabinet Linking

STEPS

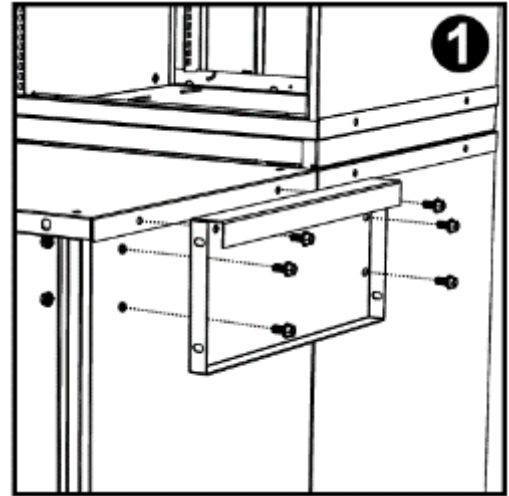
- 1** Start Mini-Mezz installation process by removing the first few drawers from top and bottom of each MDC cabinet. Refer to “Drawer Removal” page of Modular Drawer Cabinets installation instructions (DOC-MDC-0001). Retain drawers for re-install later.
- 2** Bolt all MDC cabinets together. Side to side, back to back and top to bottom. Refer to “Linking Multiple Cabinets” page of Modular Drawer Cabinets installation instructions (DOC-MDC-0001). Once all cabinets have been bolted together, continue to leave drawers out, other components within this system require through bolting from inside the housing. Tighten all fasteners.



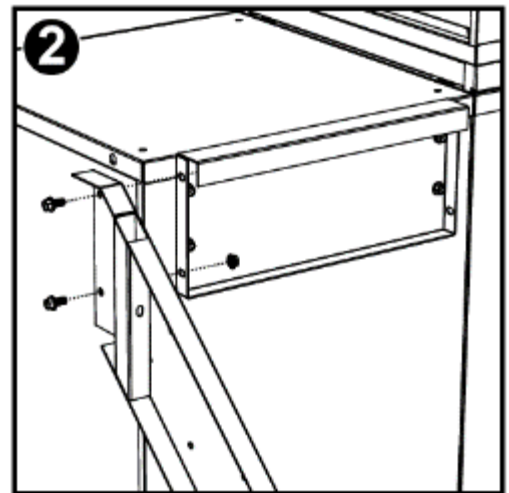
Part 2: Stair Install

STEPS

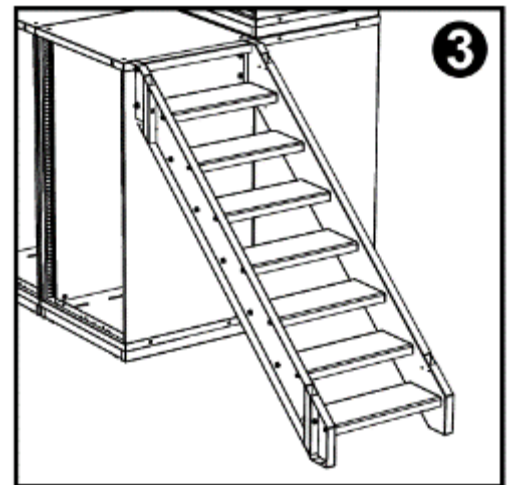
1 Start installation of stair bracket by through bolting top two (2) holes using MDC-1125 bolts and two (2) MDC-1126 nuts to side of MDC cabinet. Once those are in place, drill out four (4) remaining holes with a 1/2" drill bit and bolt to cabinet as well with same hardware. Tighten all fasteners.



2 Install stringers to the cabinet bracket using MDC-1125 bolt and MDC-1126 nut qty. 6 each. Tighten all fasteners.



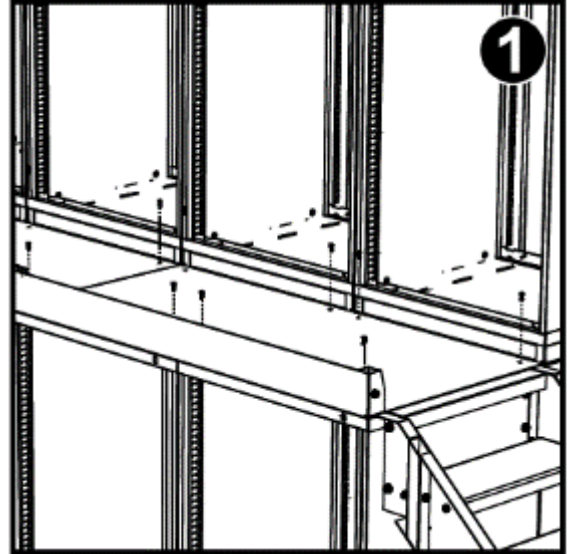
3 Install stair steps using four (4) MDC-1123 bolts and four (4) 10167-01 nuts per step. Tighten all fasteners.



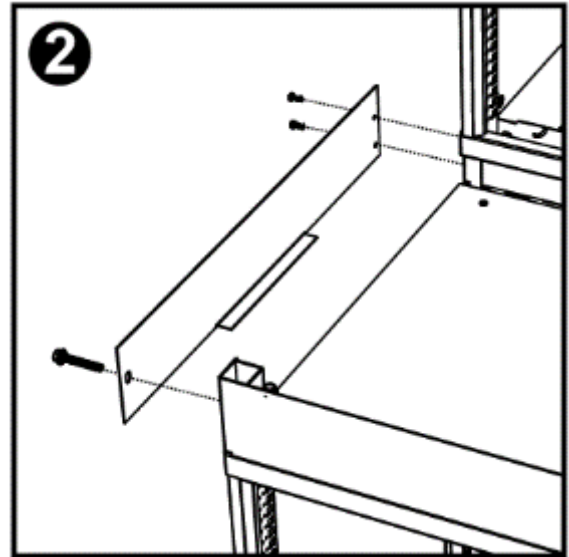
Part 2 (continued): Walkway Install

STEPS

1 Install each walkway assembly on top of MDC cabinets. Bolt through top of each MDC cabinet below, using eight (8) MDC-1127 socket head bolt and (8) MDC-1126 nuts. Tighten all fasteners.



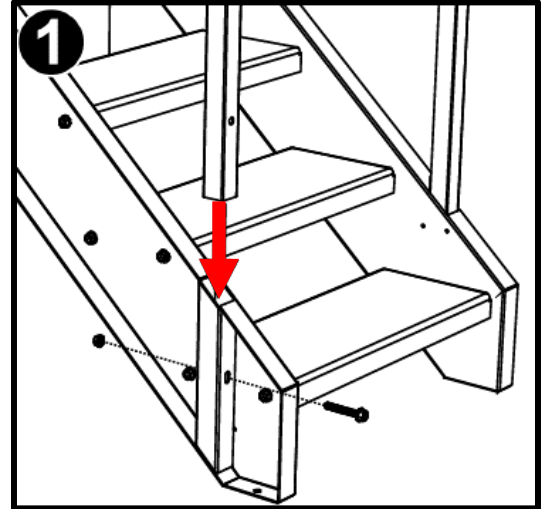
2 If applicable, install kickplate at opposite end of run of walkways. Use two (2) 00950-02 self-drill screws to secure it on the cabinet sides, and one (1) MDC-1128 bolt and one (1) 10167-01 nut attach it to the handrail post. Tighten all fasteners.



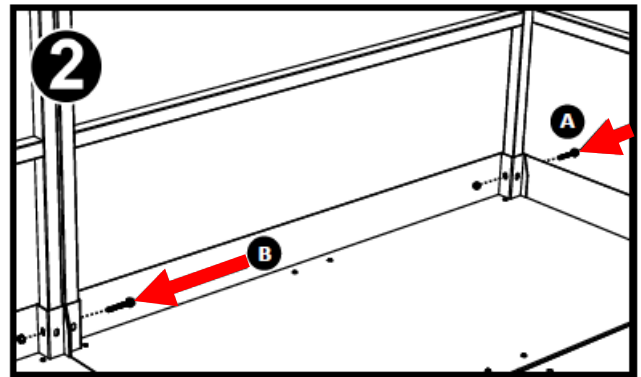
Part 3: Handrail Install

STEPS

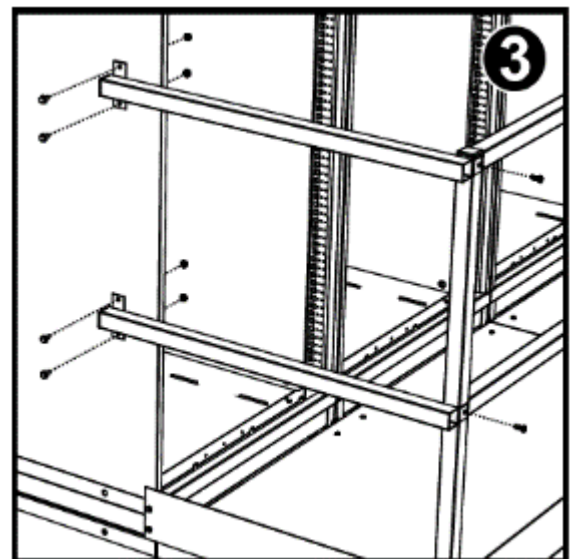
- 1** Install each stair handrail into the mounting locations on the stair stringers and bolt together using four (4) MDC-1128 bolts and four (4) 10167-01 nuts. Tighten all fasteners.



- 2** **A** Install handrail into the mounting locations on walkway and bolt using two (2) MDC-1128 bolt and two (2) 10167-01 nuts. Tighten all fasteners.
- B** **NOTE: For a double handrail use one (1) MDC-1128 bolt, one (1) MDC-1129 bolt, and two (2) 10167-01 nuts. Tighten all fasteners.**



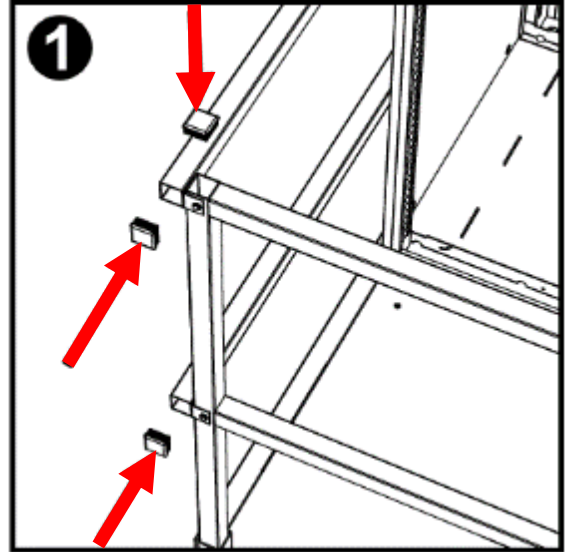
- 3** Use two (2) 00950-02 self-drill screws and attach one side of each handrail end to the walkway handrail. Hold handrails level, mark each mounting location on the cabinet. Drill out marked holes with 5/16" drill bit and fasten using four (4) MDC-1128 bolts and four (4) 10167-01 nuts. Tighten all fasteners.



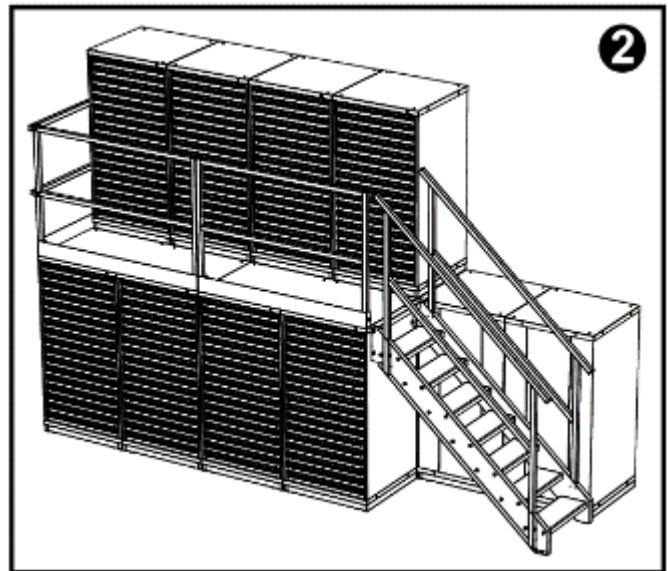
Part 4: End Caps / Drawer Install

STEPS

- 1 Install twelve (12) MDC-9028 plastic plugs in all tube ends.



- 2 Re-install all drawers into MDC cabinets. Refer to "Drawer Removal" page of the Modular Drawer Cabinets installation instructions (DOC-MDC-0001).



Cabinets MUST be bolted together side to side and anchored to the floor before loading to prevent tipping.

Once installation is completed, a copy of the installation instruction booklet **MUST** remain with the customer.

Regular Cleaning

Use a soft clean cloth and mild soap or detergent to wipe the surfaces. Dry completely with a soft clean cloth using straight line motion.



Do not use abrasives (ex. scratchers, steel wool).



WARRANTY

Borroughs Corporation extends to the original purchaser from the date of purchase a limited lifetime warranty for Borroughs' Automotive Workstations and Modular Drawer Cabinets against manufacturing defects in material and workmanship. For all other products Borroughs extends to the original purchaser from the date of purchase a 5-year limited warranty against manufacturing defects in material and workmanship.

If a Borroughs product fails to perform because of a manufacturing defect, Borroughs will examine it. If found defective, it will be repaired or replaced at our option. This warranty applies only to Borroughs products acquired directly from Borroughs Corporation or from Authorized Borroughs Dealers.

This warranty does not apply to any product which has been subject to misuse, negligence, or accident; has been damaged in shipment, storage, or installation; has been misapplied or has been modified or repaired by unauthorized persons or been repaired with non-standard Borroughs replacement parts. This warranty specifically excludes claims for indirect, incidental, or consequential damages arising in any way from a product defect. This warranty is exclusive, and exists in lieu of all other warranties, either expressed or implied.

This warranty gives you specific legal rights; you may also have other rights which may vary from state to state.

Contact your Borroughs Selling Dealer, to obtain warranty service. You must make a written claim. Provide a copy of your purchase record and a written description of the warranty problem with your claim.

If you are unable to contact your Dealer, contact:
Borroughs Corporation, Customer Service Manager,
3002 N. Burdick St., Kalamazoo, MI 49004-3483.
Phone: 1-800-748-0227