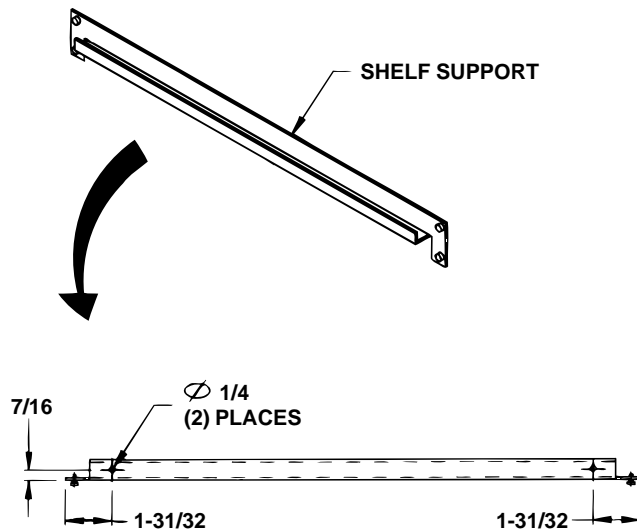


# SHELF SUPPORT DRILLING INSTRUCTIONS

1. On each shelf support, mark (2) hole locations.
2. Drill (2) 1/4" holes in each shelf support.



WITH SHELF SUPPORT BOTTOM SIDE UP - MARK AND DRILL HOLES.

## ***BORROUGHS CORPORATION***

3002 N. BURDICK STREET • KALAMAZOO, MI 49004-3483  
800-748-0227 • FAX: 616-342-4161 • CANADA: 800-968-0162  
VISIT OUR WEB SITE AT: [www.borroughs.com](http://www.borroughs.com)

53-50528-00A  
MARCH 2000