

Wilsonstak®

CANTILEVER SHELVING ELEVATION / SHOP DRAWINGS

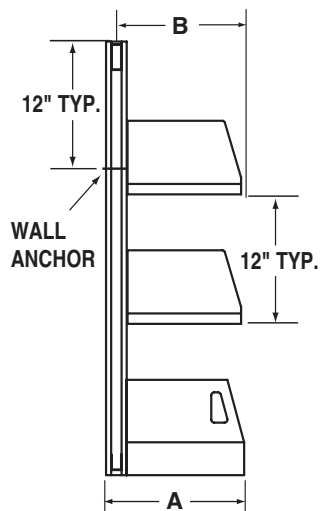
Standard Units 3-7

Hinged Periodical Units 8-11

Fixed Periodical Units 12-15

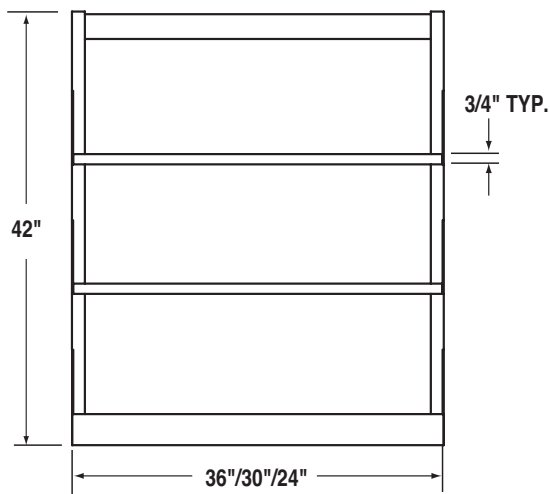
Integral Backstop Units 16-20

Divider Units 21-25



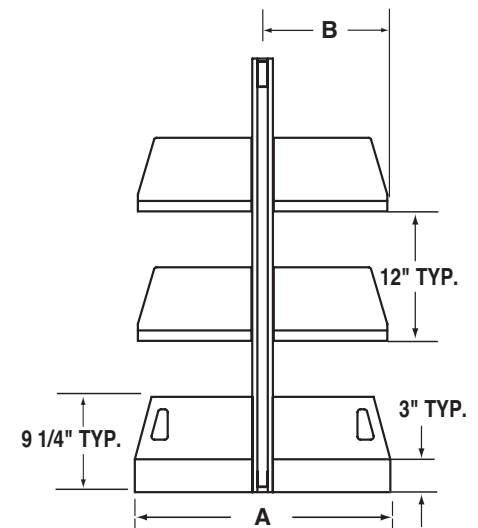
SINGLE FACE
SECTION VIEW

A	B
9 3/8"	8"
10 3/8"	9"
11 3/8"	10"
13 3/8"	12"
17 3/8"	16"



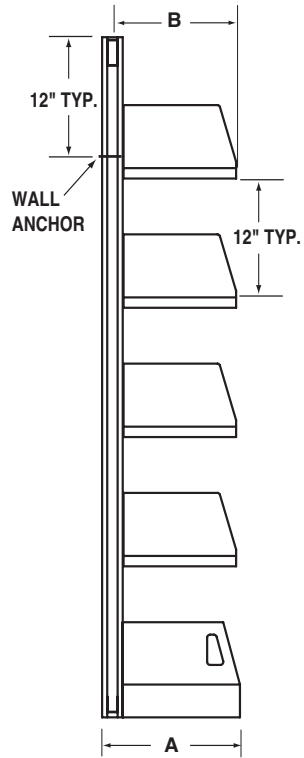
FRONT VIEW

STANDARD WILSONSTAK® UNIT ELEVATIONS 42"



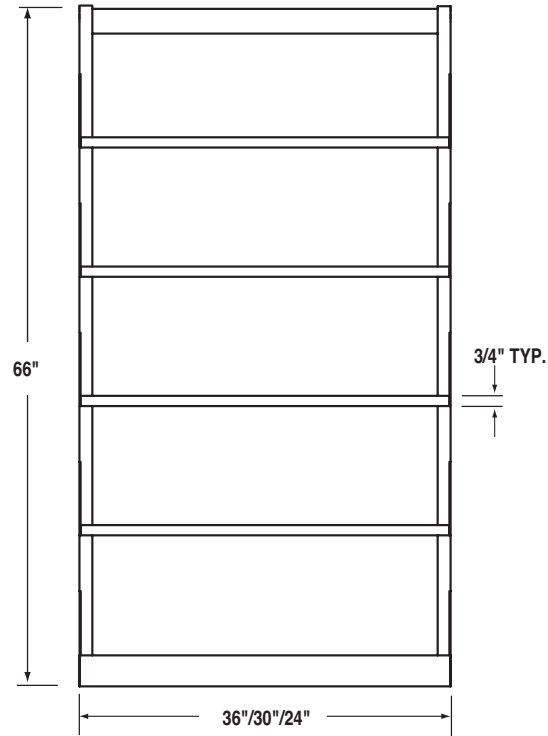
DOUBLE FACE
SECTION VIEW

A	B
16 7/16"	8"
18 7/16"	9"
20 7/16"	10"
24 7/16"	12"
32 7/16"	16"



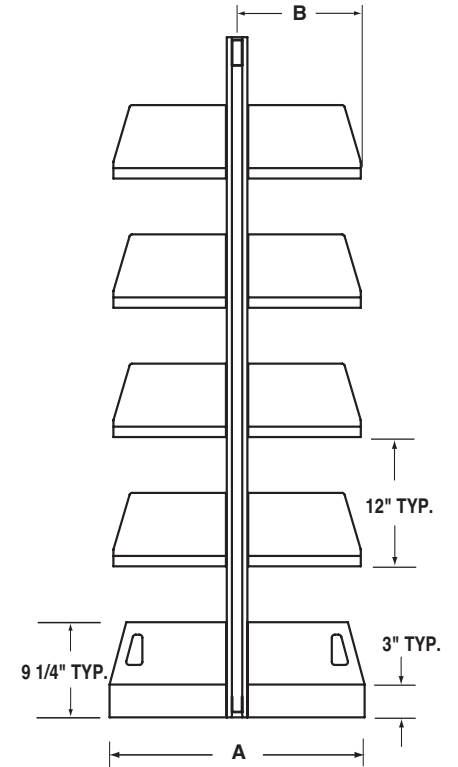
SINGLE FACE
SECTION VIEW

A	B
9 3/8"	8"
10 3/8"	9"
11 3/8"	10"
13 3/8"	12"
17 3/8"	16"



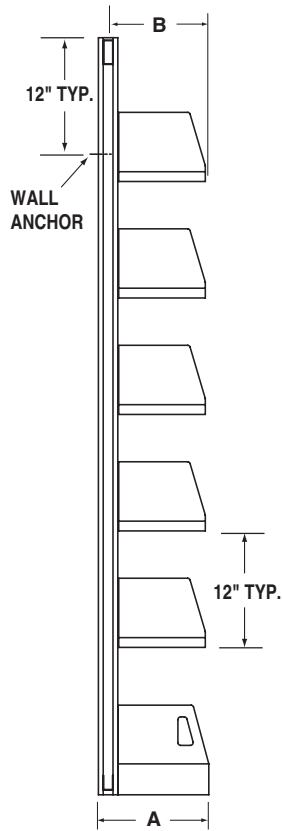
FRONT VIEW

STANDARD WILSONSTAK® UNIT ELEVATIONS 66"



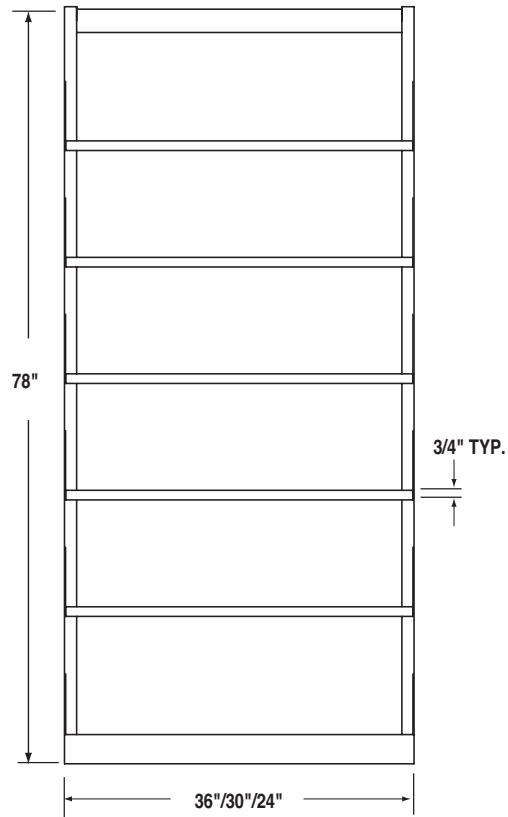
DOUBLE FACE
SECTION VIEW

A	B
16 7/16"	8"
18 7/16"	9"
20 7/16"	10"
24 7/16"	12"
32 7/16"	16"



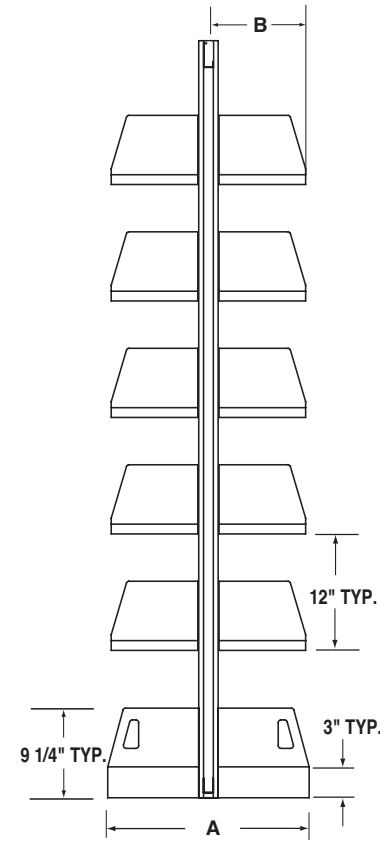
SINGLE FACE
SECTION VIEW

A	B
9 3/8"	8"
10 3/8"	9"
11 3/8"	10"
13 3/8"	12"
17 3/8"	16"



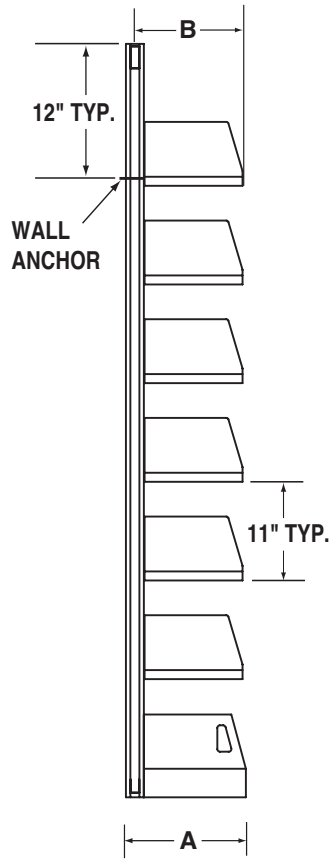
FRONT VIEW

STANDARD WILSONSTAK® UNIT ELEVATIONS 78"



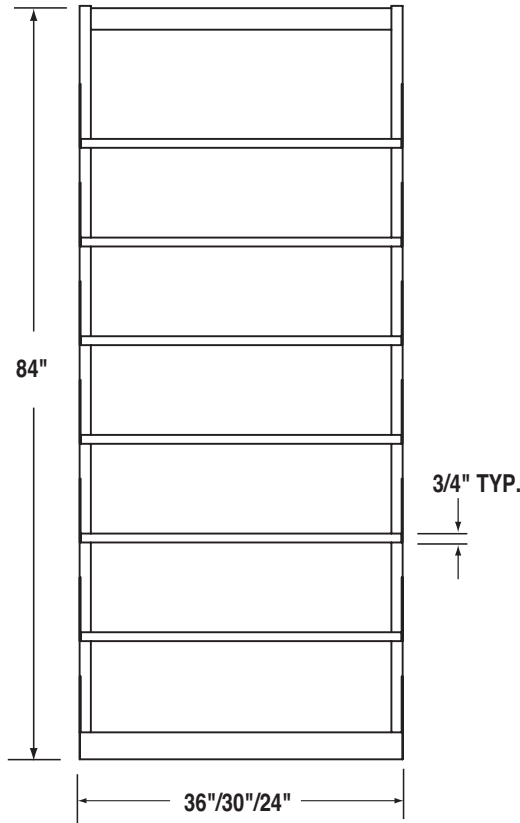
DOUBLE FACE
SECTION VIEW

A	B
16 7/16"	8"
18 7/16"	9"
20 7/16"	10"
24 7/16"	12"
32 7/16"	16"



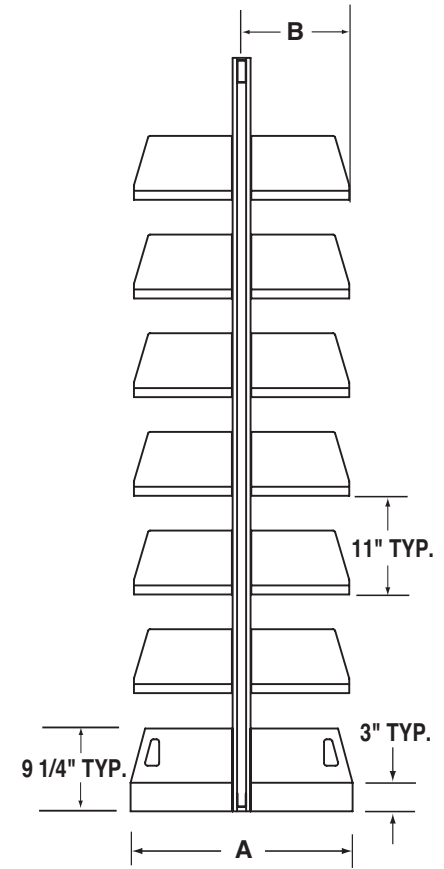
SINGLE FACE
SECTION VIEW

A	B
9 3/8"	8"
10 3/8"	9"
11 3/8"	10"
13 3/8"	12"
17 3/8"	16"



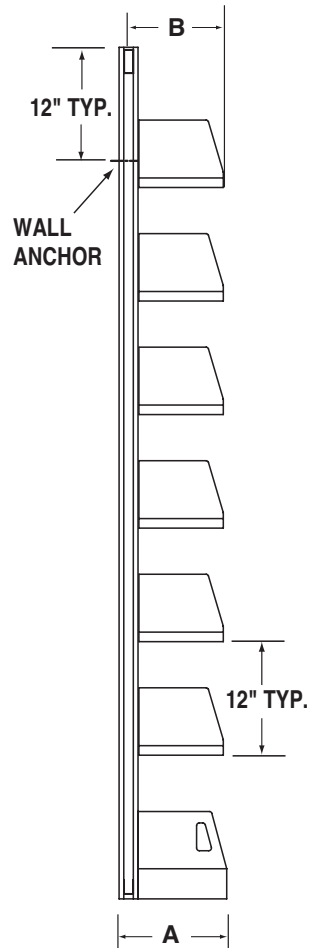
FRONT VIEW

STANDARD WILSONSTAK® UNIT ELEVATIONS 84"



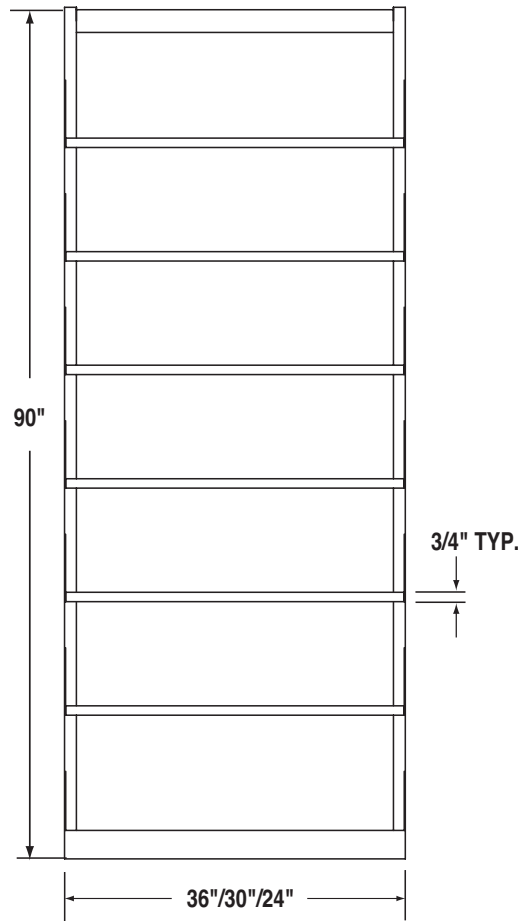
DOUBLE FACE
SECTION VIEW

A	B
16 7/16"	8"
18 7/16"	9"
20 7/16"	10"
24 7/16"	12"
32 7/16"	16"



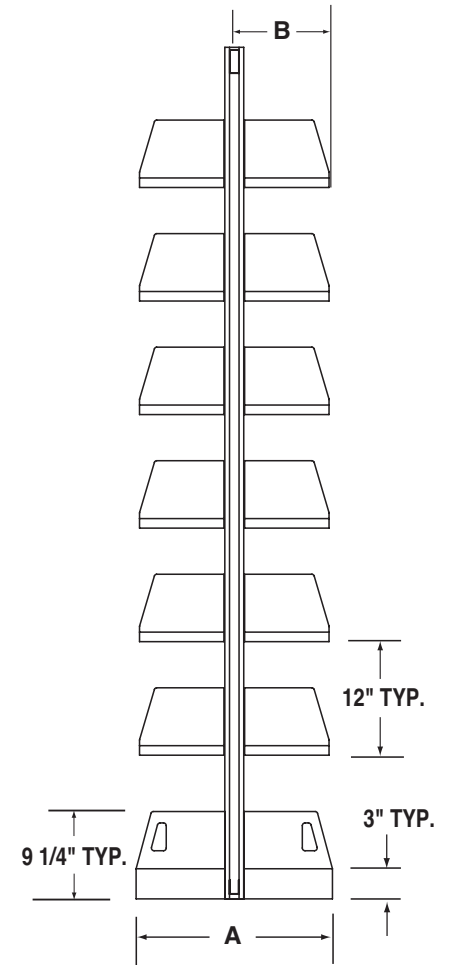
SINGLE FACE
SECTION VIEW

A	B
9 3/8"	8"
10 3/8"	9"
11 3/8"	10"
13 3/8"	12"
17 3/8"	16"



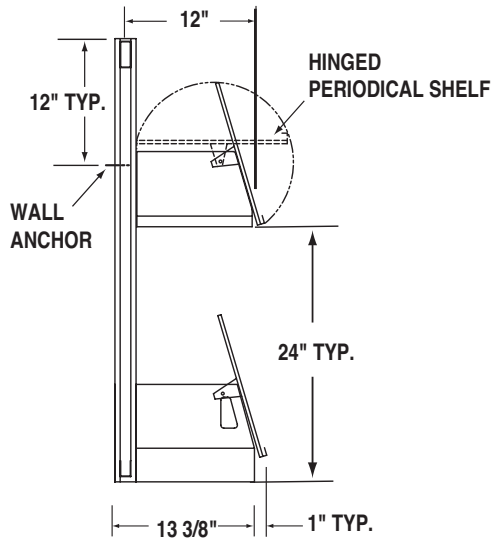
FRONT VIEW

STANDARD WILSONSTAK® UNIT ELEVATIONS 90"

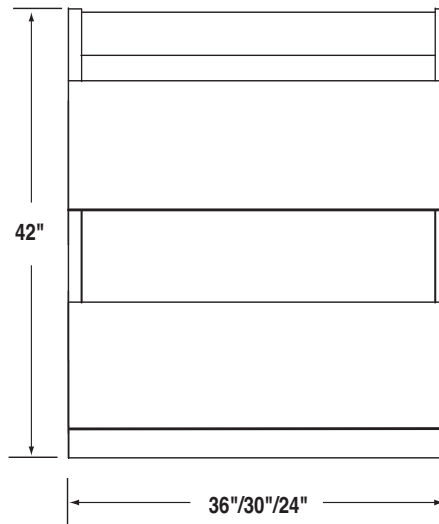


DOUBLE FACE
SECTION VIEW

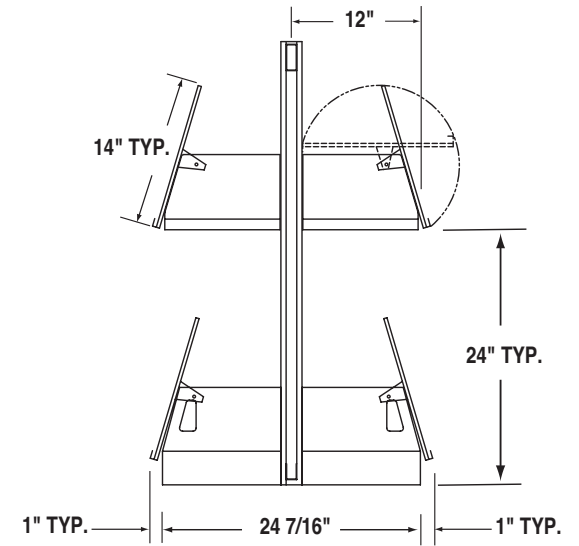
A	B
16 7/16"	8"
18 7/16"	9"
20 7/16"	10"
24 7/16"	12"
32 7/16"	16"



SINGLE FACE
SECTION VIEW

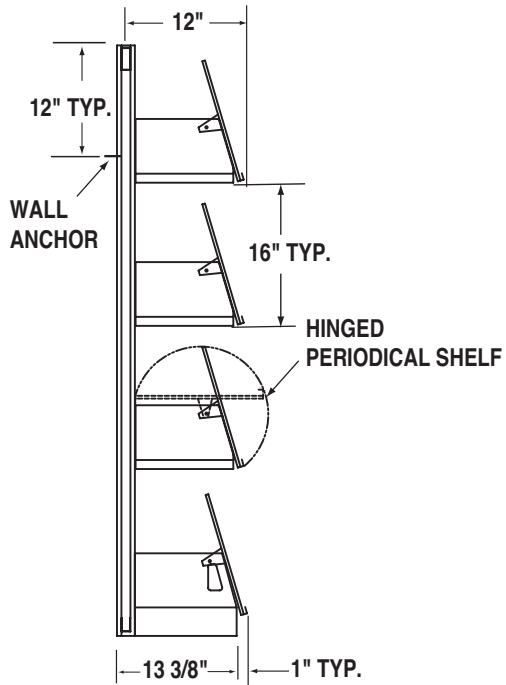


FRONT VIEW

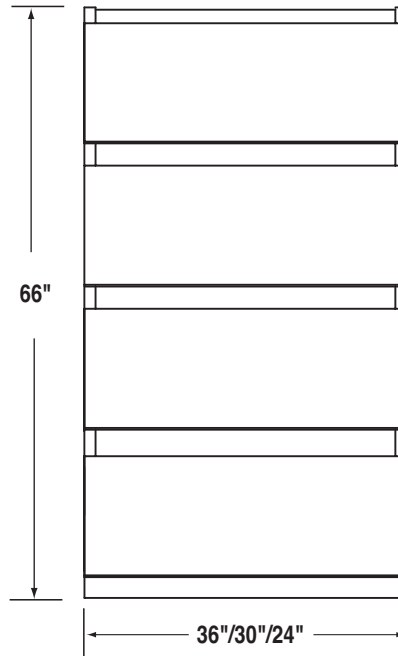


DOUBLE FACE
SECTION VIEW

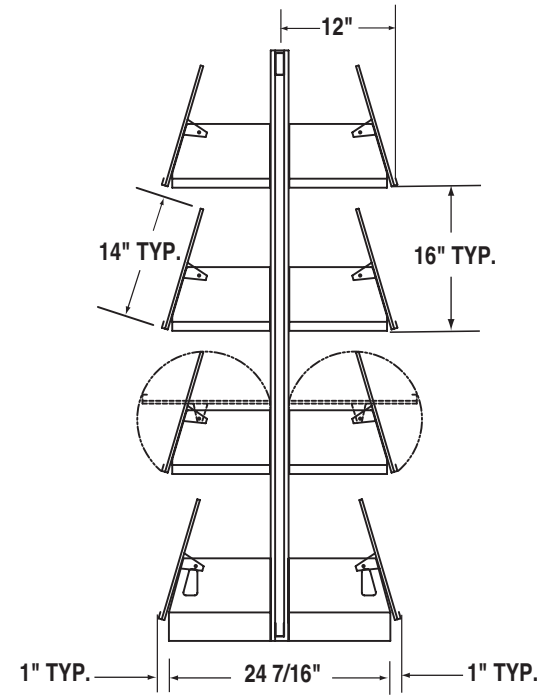
HINGED PERIODICAL UNIT ELEVATIONS 42"



SINGLE FACE
SECTION VIEW



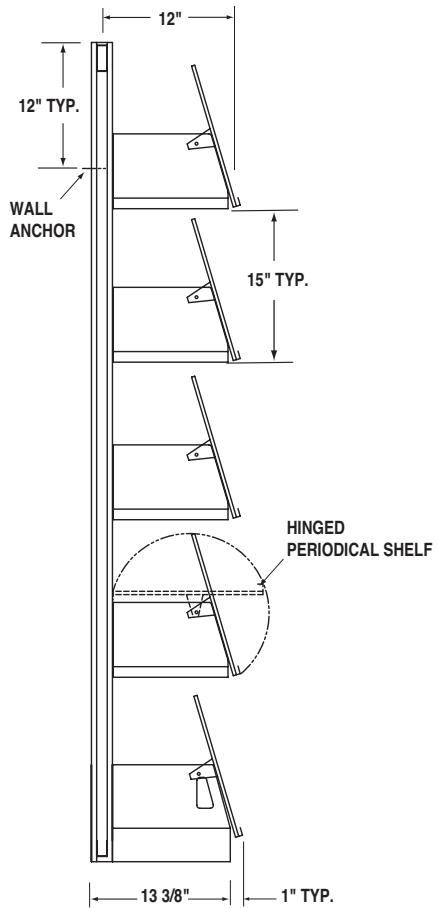
FRONT VIEW



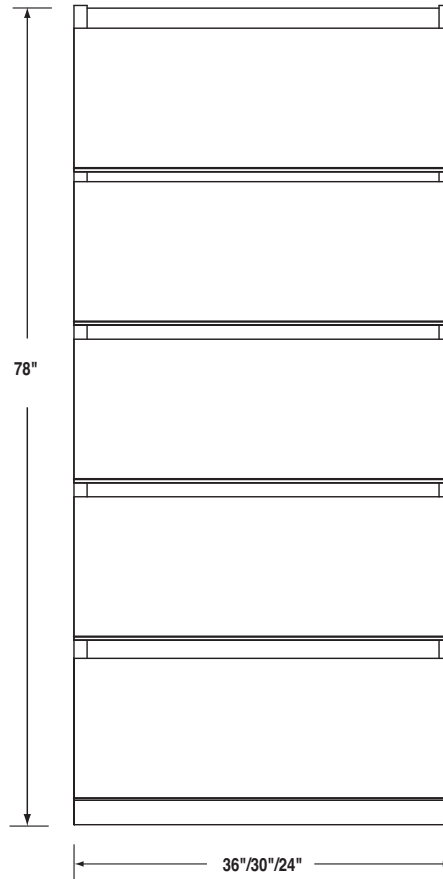
DOUBLE FACE
SECTION VIEW

HINGED PERIODICAL UNIT ELEVATIONS

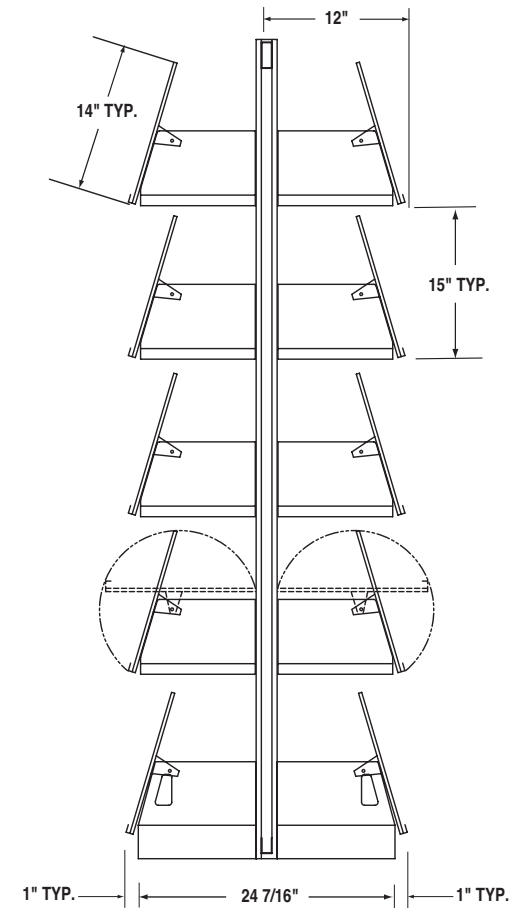
66"



SINGLE FACE
SECTION VIEW

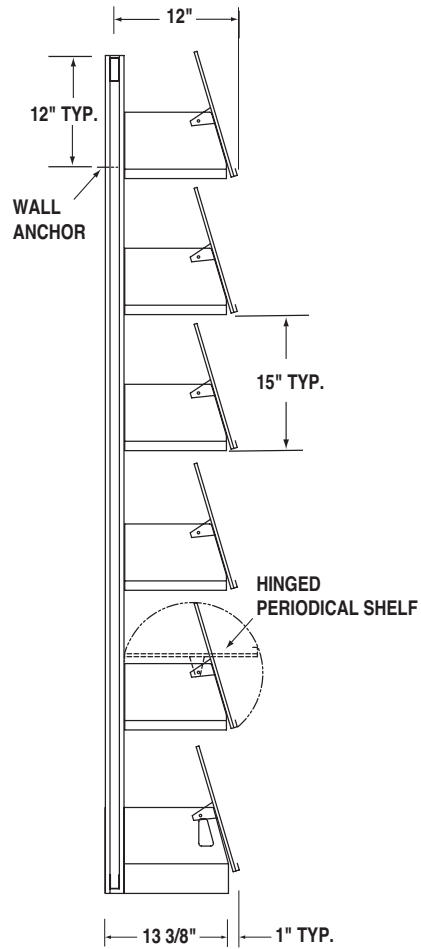


FRONT VIEW

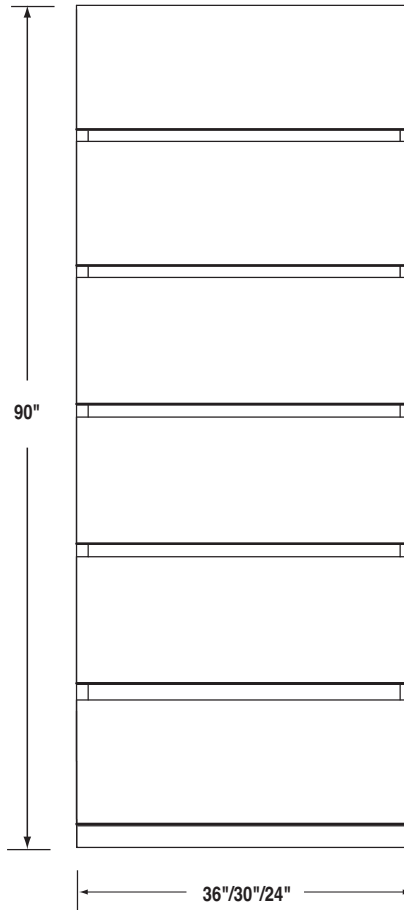


DOUBLE FACE
SECTION VIEW

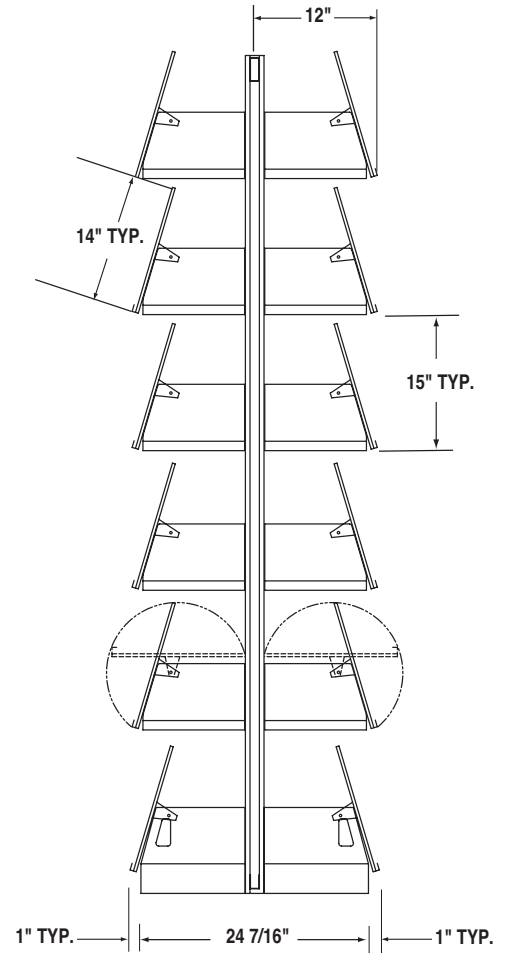
HINGED PERIODICAL UNIT ELEVATIONS 78"



SINGLE FACE
SECTION VIEW



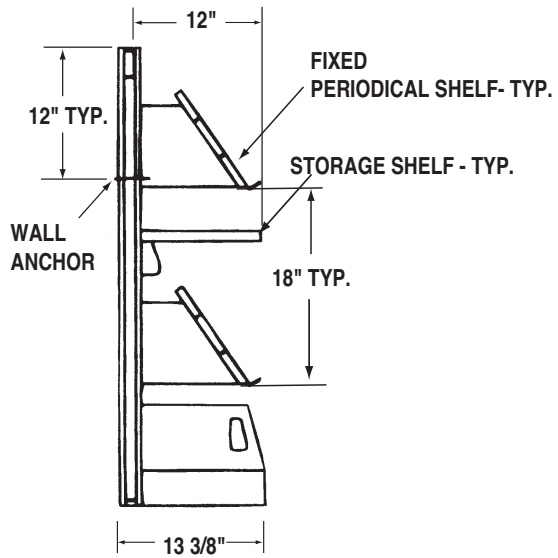
FRONT VIEW



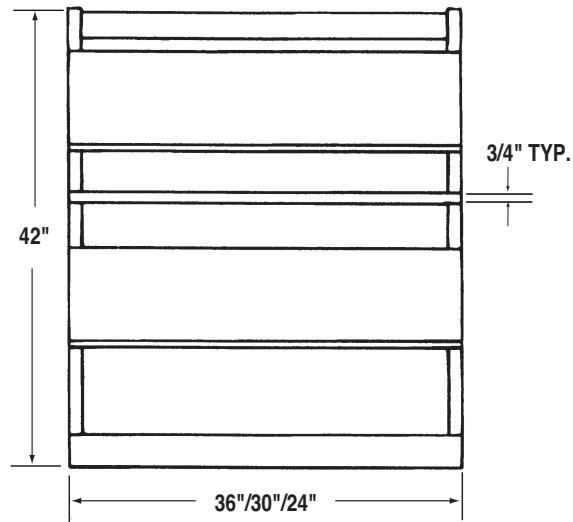
DOUBLE FACE
SECTION VIEW

HINGED PERIODICAL UNIT ELEVATIONS

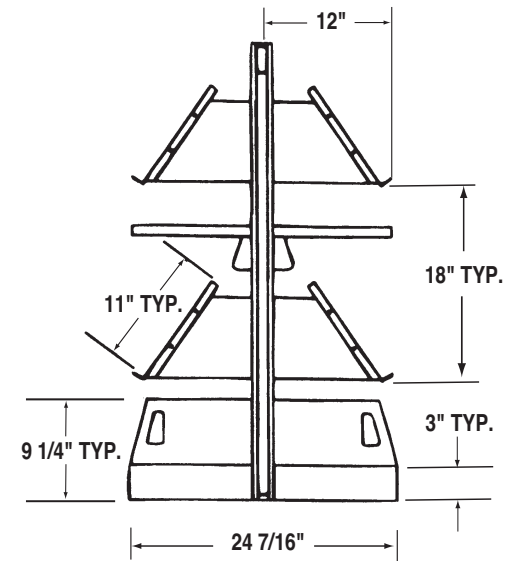
90"



SINGLE FACE
SECTION VIEW

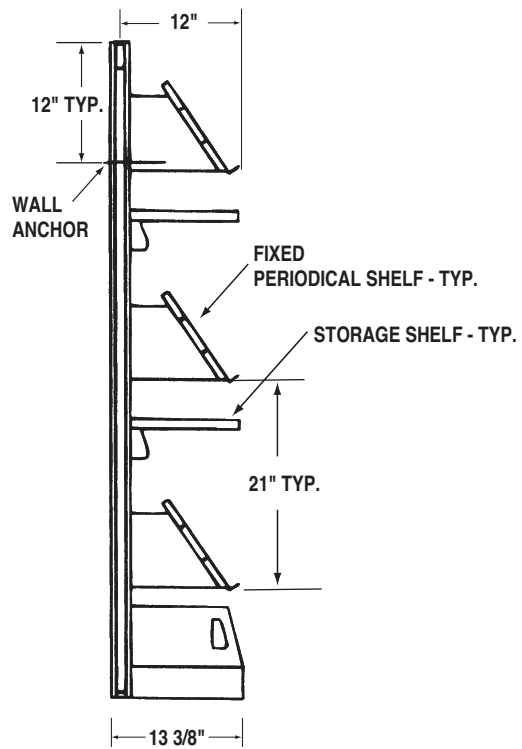


FRONT VIEW

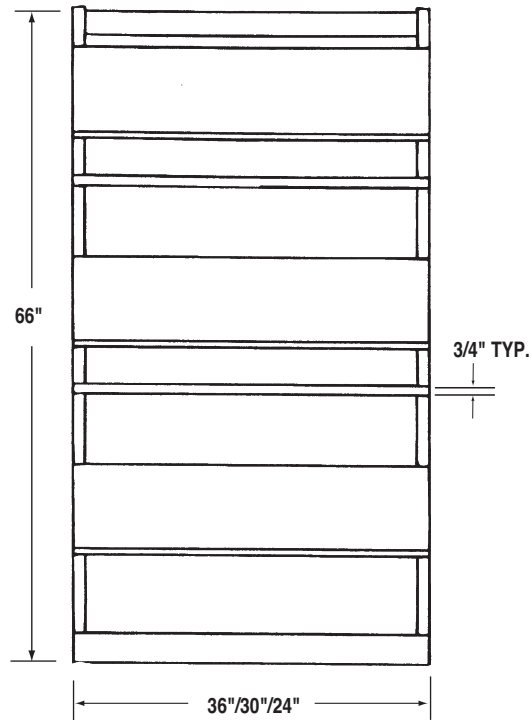


DOUBLE FACE
SECTION VIEW

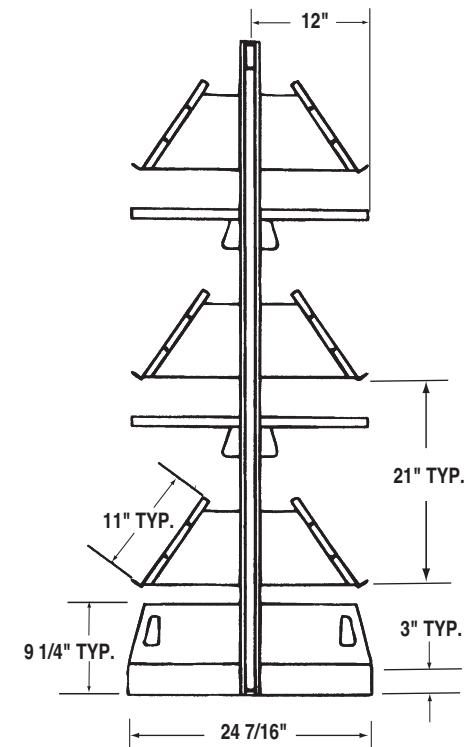
FIXED PERIODICAL UNIT ELEVATIONS 42"



SINGLE FACE
SECTION VIEW



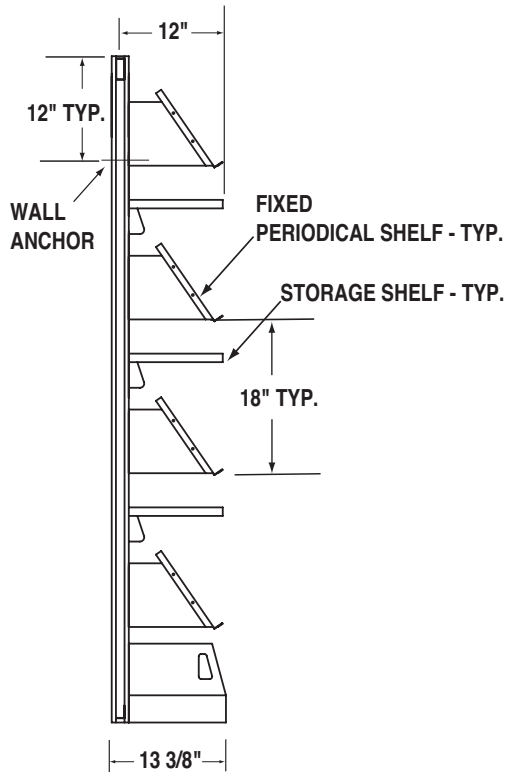
FRONT VIEW



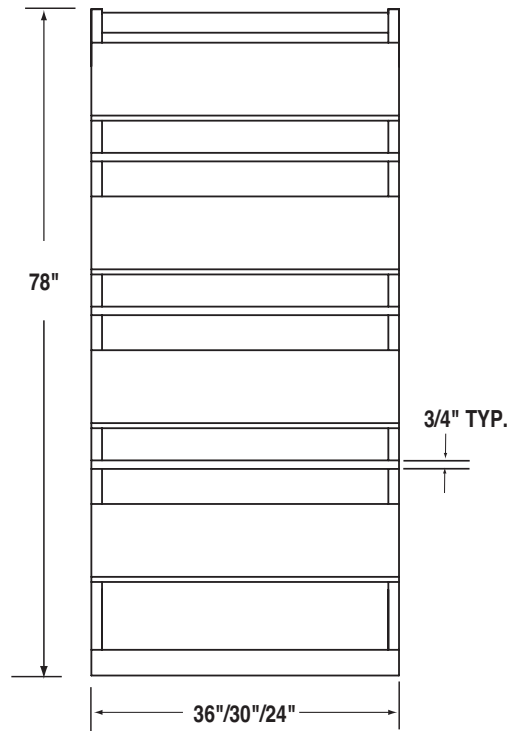
DOUBLE FACE
SECTION VIEW

FIXED PERIODICAL UNIT ELEVATIONS

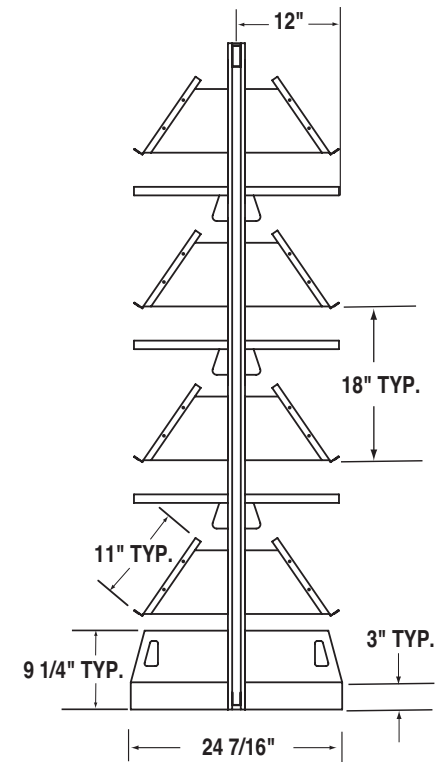
66"



SINGLE FACE
SECTION VIEW

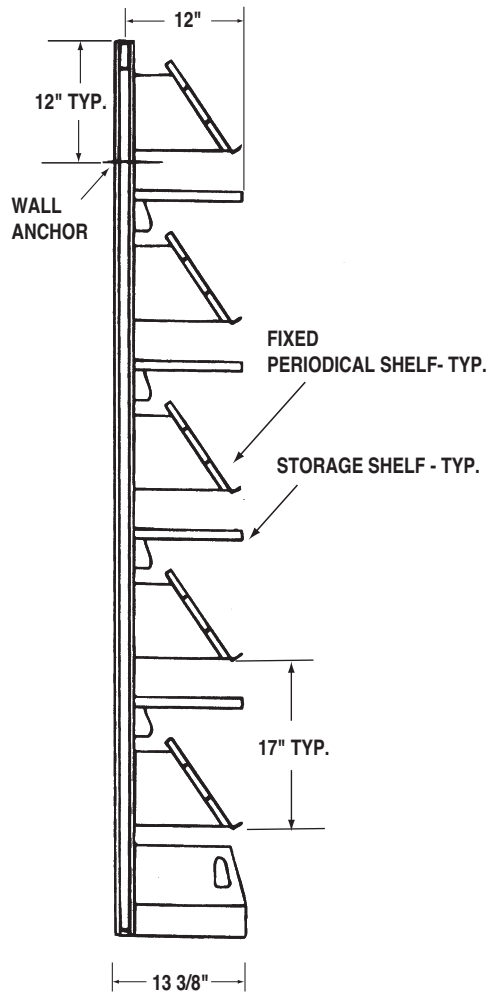


FRONT VIEW

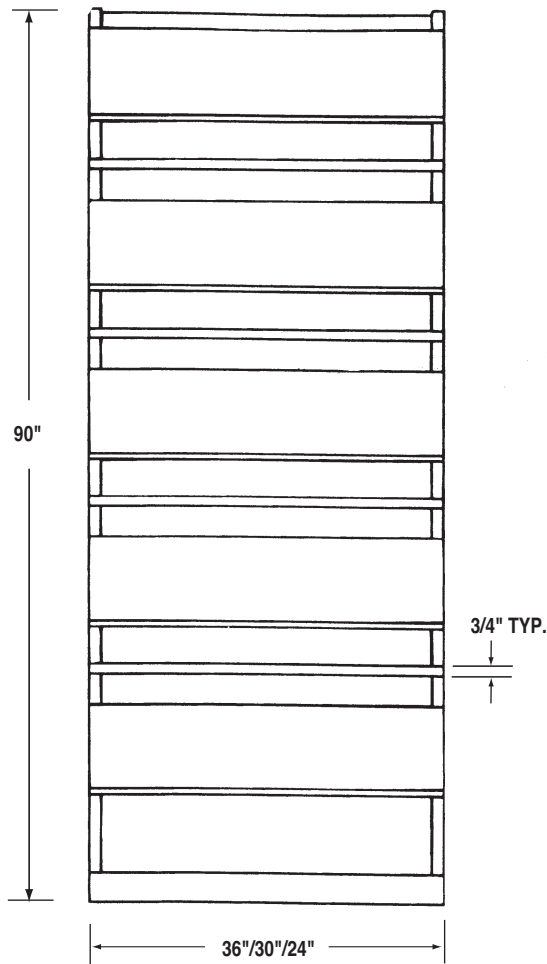


DOUBLE FACE
SECTION VIEW

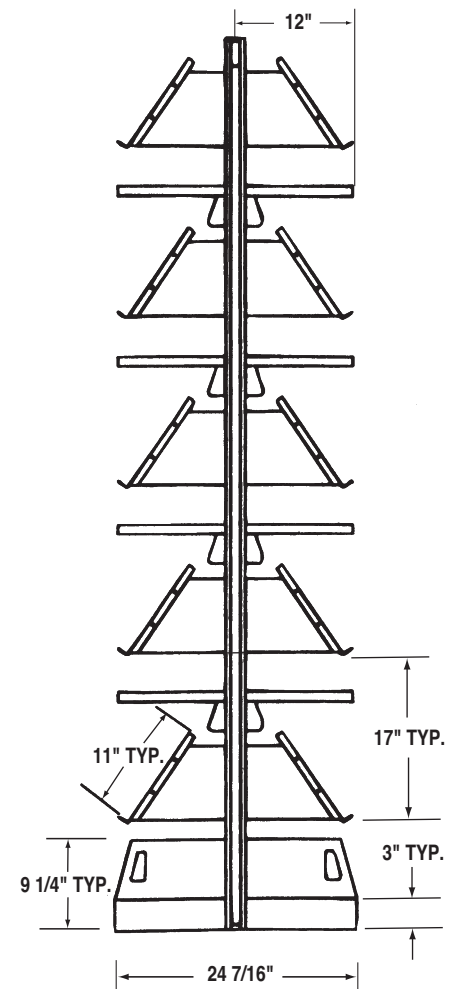
FIXED PERIODICAL UNIT ELEVATIONS 78"



SINGLE FACE
SECTION VIEW



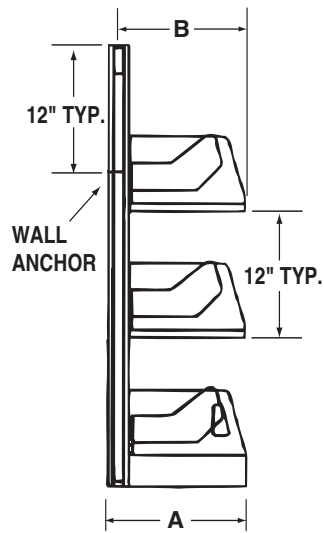
FRONT VIEW



DOUBLE FACE
SECTION VIEW

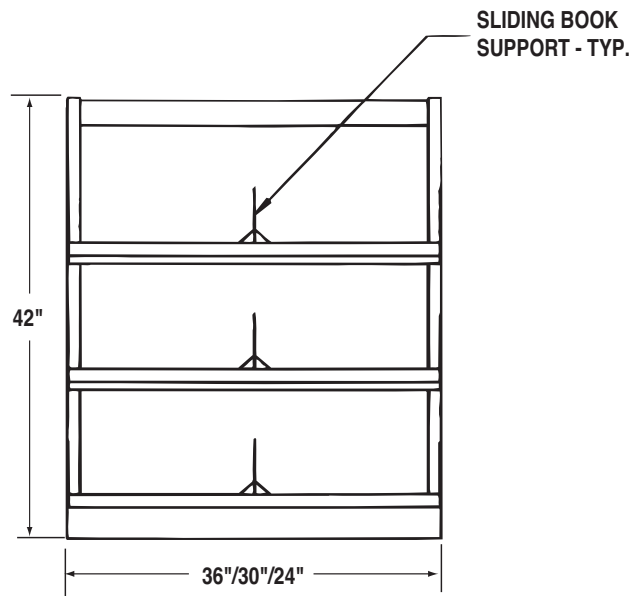
FIXED PERIODICAL UNIT ELEVATIONS

90"



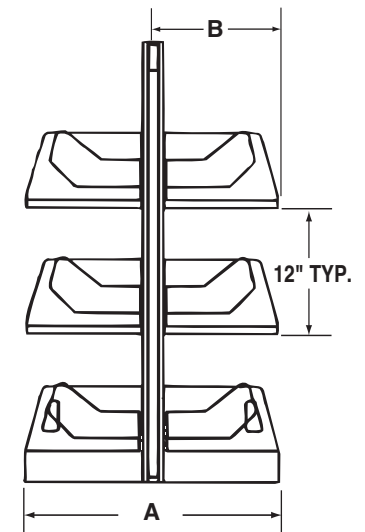
SINGLE FACE
SECTION VIEW

A	B
9 ³ / ₈ "	8"
10 ³ / ₈ "	9"
11 ³ / ₈ "	10"
13 ³ / ₈ "	12"
17 ³ / ₈ "	16"



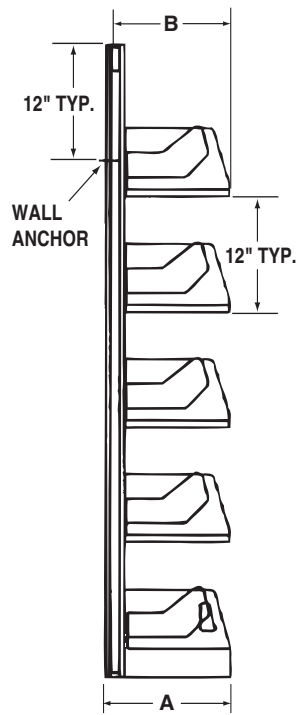
FRONT VIEW

INTEGRAL BACKSTOP UNIT ELEVATIONS 42"



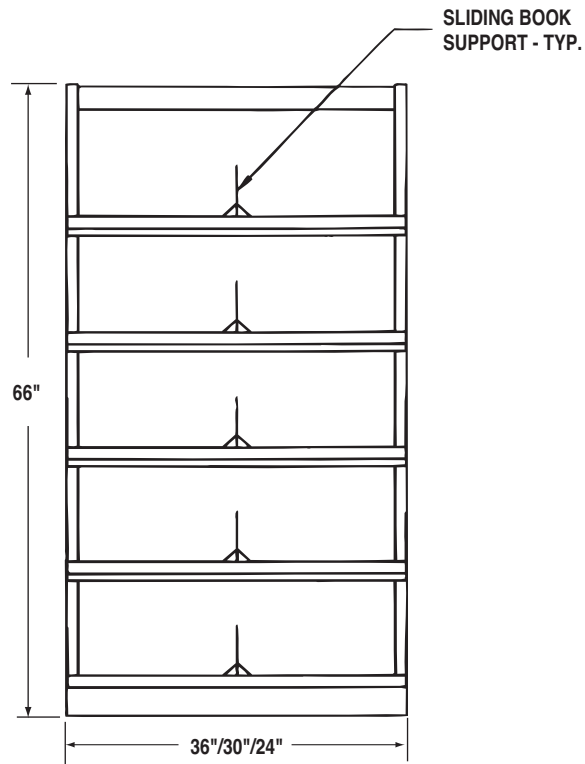
DOUBLE FACE
SECTION VIEW

A	B
16 ⁷ / ₁₆ "	8"
18 ⁷ / ₁₆ "	9"
20 ⁷ / ₁₆ "	10"
24 ⁷ / ₁₆ "	12"
32 ⁷ / ₁₆ "	16"



SINGLE FACE SECTION VIEW

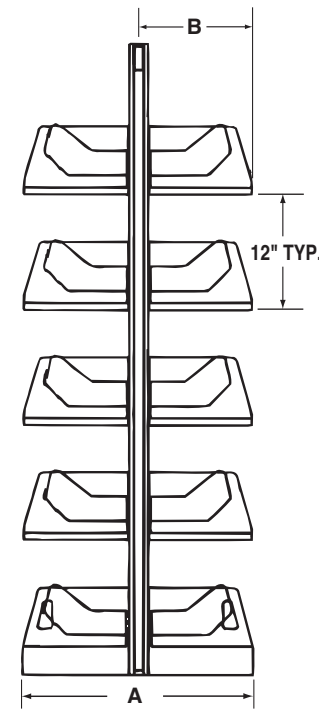
A	B
9 ³ / ₈ "	8"
10 ³ / ₈ "	9"
11 ³ / ₈ "	10"
13 ³ / ₈ "	12"
17 ³ / ₈ "	16"



FRONT VIEW

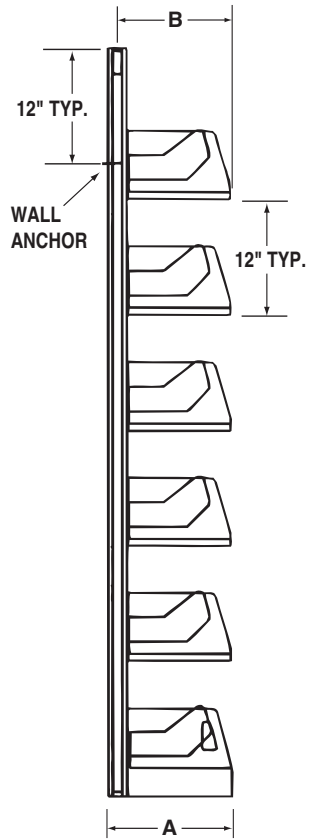
INTEGRAL BACKSTOP UNIT ELEVATIONS

66"



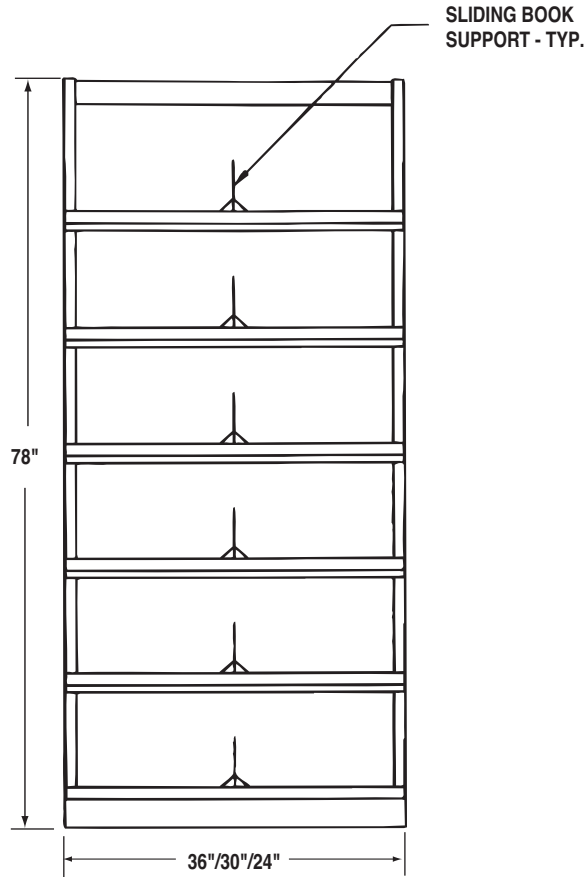
DOUBLE FACE SECTION VIEW

A	B
16 ⁷ / ₁₆ "	8"
18 ⁷ / ₁₆ "	9"
20 ⁷ / ₁₆ "	10"
24 ⁷ / ₁₆ "	12"
32 ⁷ / ₁₆ "	16"



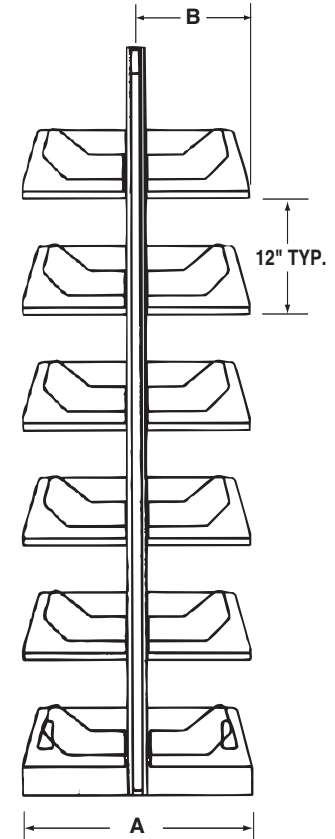
SINGLE FACE
SECTION VIEW

A	B
9 ³ / ₈ "	8"
10 ³ / ₈ "	9"
11 ³ / ₈ "	10"
13 ³ / ₈ "	12"
17 ³ / ₈ "	16"



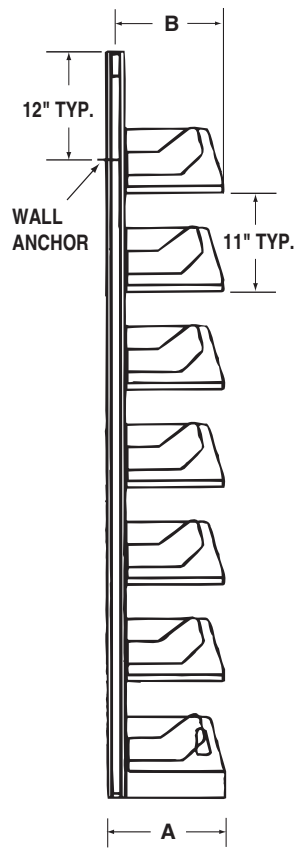
FRONT VIEW

INTEGRAL BACKSTOP UNIT ELEVATIONS 78"



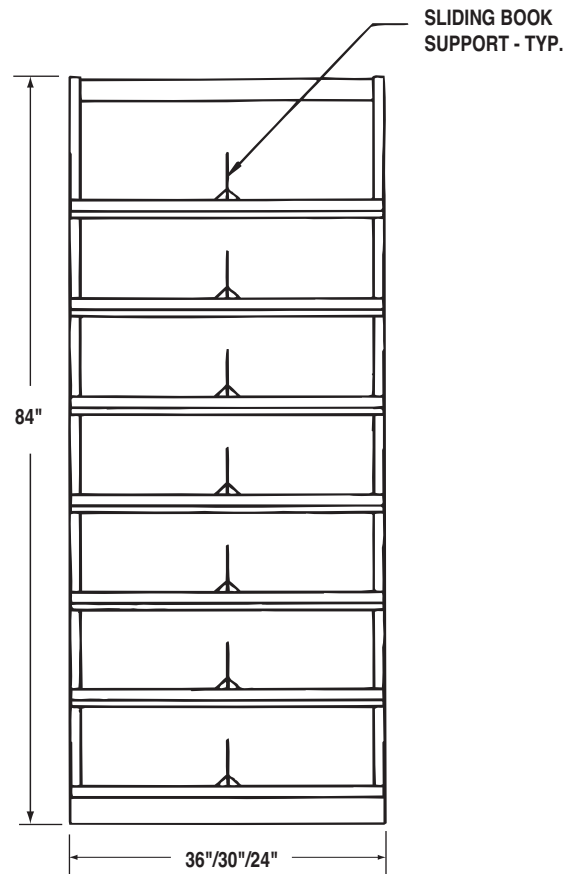
DOUBLE FACE
SECTION VIEW

A	B
16 ⁷ / ₁₆ "	8"
18 ⁷ / ₁₆ "	9"
20 ⁷ / ₁₆ "	10"
24 ⁷ / ₁₆ "	12"
32 ⁷ / ₁₆ "	16"



SINGLE FACE
SECTION VIEW

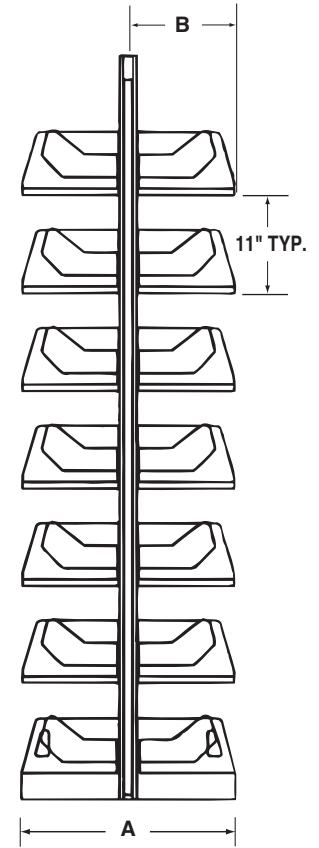
A	B
9 ³ / ₈ "	8"
10 ³ / ₈ "	9"
11 ³ / ₈ "	10"
13 ³ / ₈ "	12"
17 ³ / ₈ "	16"



FRONT VIEW

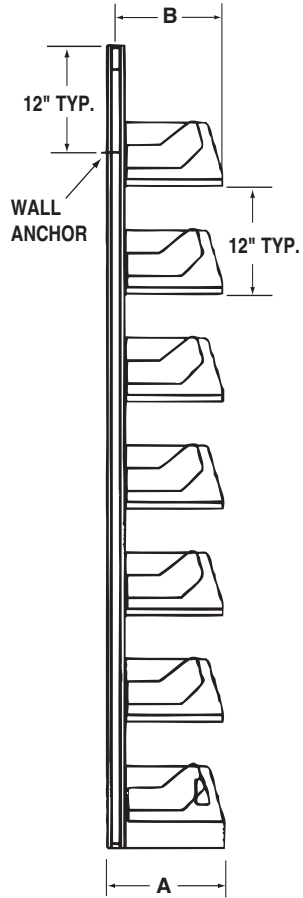
INTEGRAL BACKSTOP UNIT ELEVATIONS

84"



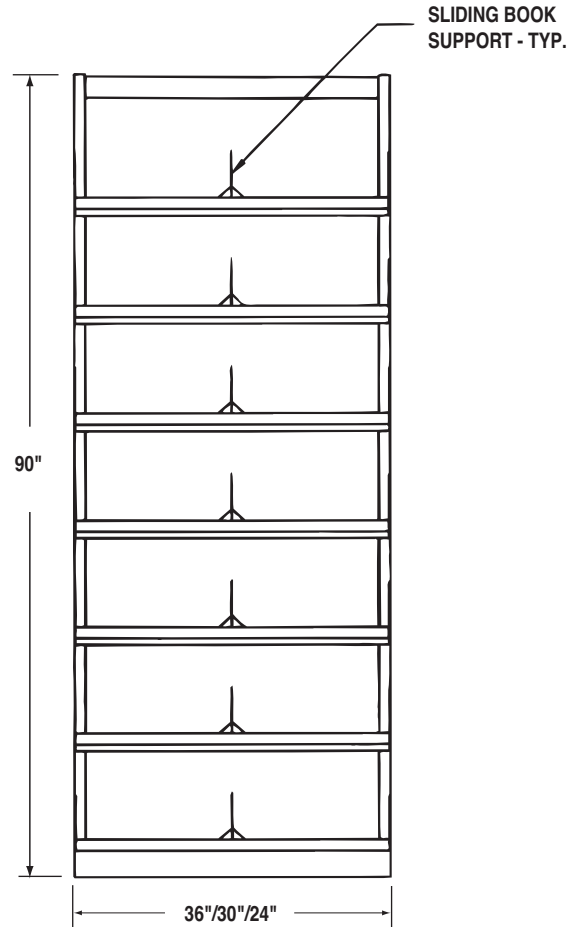
DOUBLE FACE
SECTION VIEW

A	B
16 ⁷ / ₁₆ "	8"
18 ⁷ / ₁₆ "	9"
20 ⁷ / ₁₆ "	10"
24 ⁷ / ₁₆ "	12"
32 ⁷ / ₁₆ "	16"



SINGLE FACE
SECTION VIEW

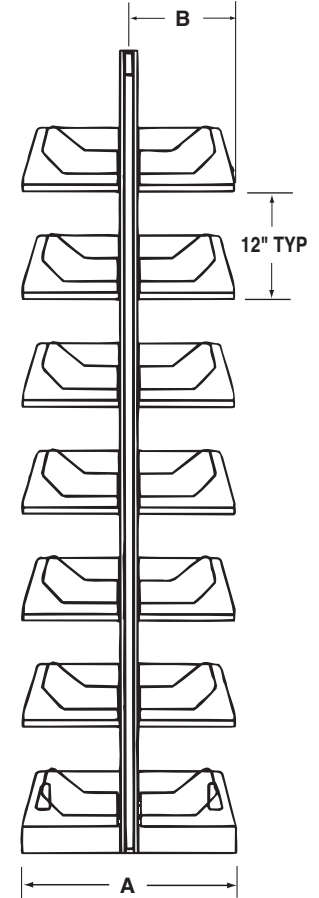
A	B
9 ³ / ₈ "	8"
10 ³ / ₈ "	9"
11 ³ / ₈ "	10"
13 ³ / ₈ "	12"
17 ³ / ₈ "	16"



FRONT VIEW

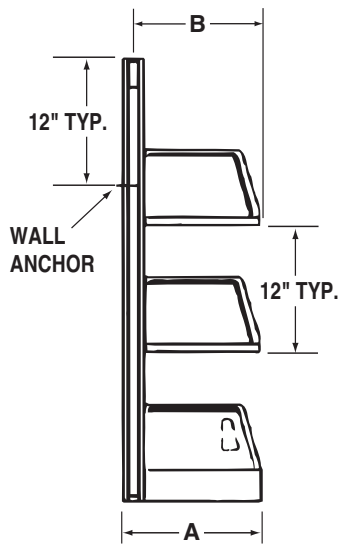
INTEGRAL BACKSTOP UNIT ELEVATIONS

90"



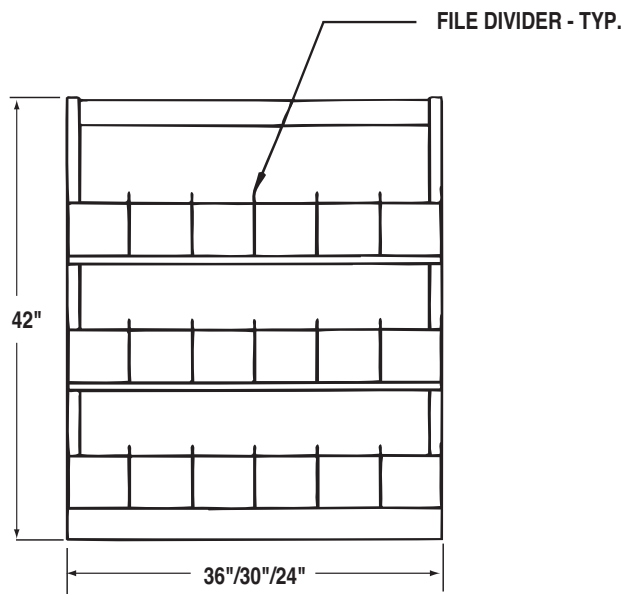
DOUBLE FACE
SECTION VIEW

A	B
16 ⁷ / ₁₆ "	8"
18 ⁷ / ₁₆ "	9"
20 ⁷ / ₁₆ "	10"
24 ⁷ / ₁₆ "	12"
32 ⁷ / ₁₆ "	16"



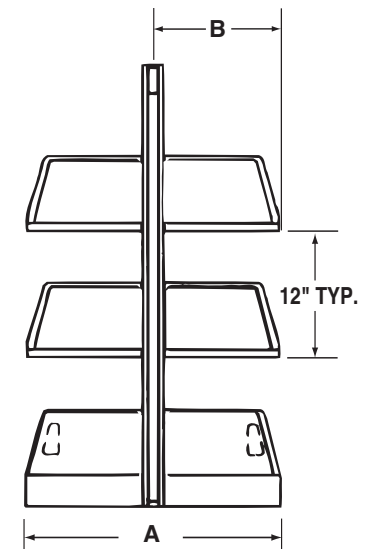
SINGLE FACE
SECTION VIEW

A	B
11 ³ / ₈ "	10"
13 ³ / ₈ "	12"
17 ³ / ₈ "	14"
17 ³ / ₈ "	16"



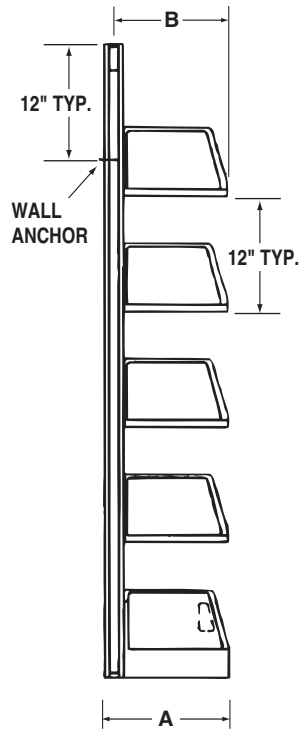
FRONT VIEW

DIVIDER UNIT ELEVATIONS 42"



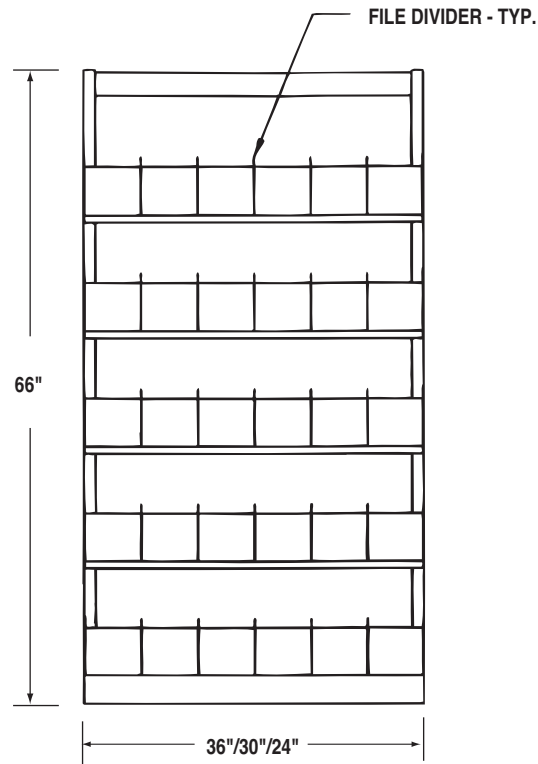
DOUBLE FACE
SECTION VIEW

A	B
20 ⁷ / ₁₆ "	10"
24 ⁷ / ₁₆ "	12"
32 ⁷ / ₁₆ "	14"
32 ⁷ / ₁₆ "	16"



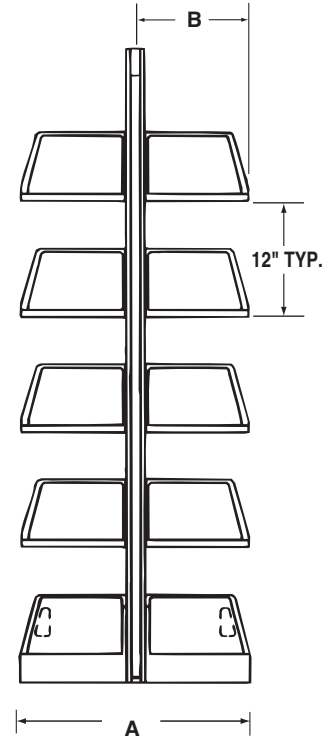
SINGLE FACE
SECTION VIEW

A	B
11 ³ / ₈ "	10"
13 ³ / ₈ "	12"
17 ³ / ₈ "	14"
17 ³ / ₈ "	16"



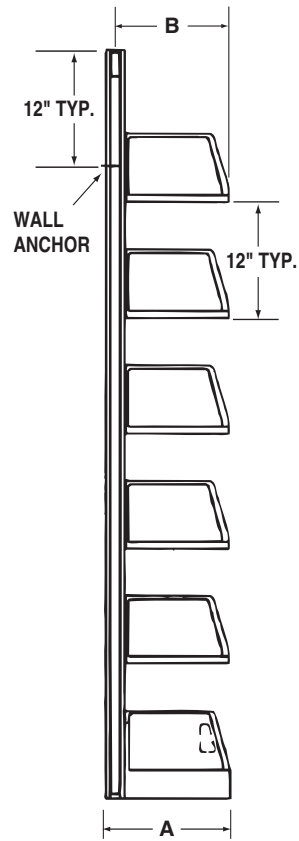
FRONT VIEW

DIVIDER UNIT ELEVATIONS 66"



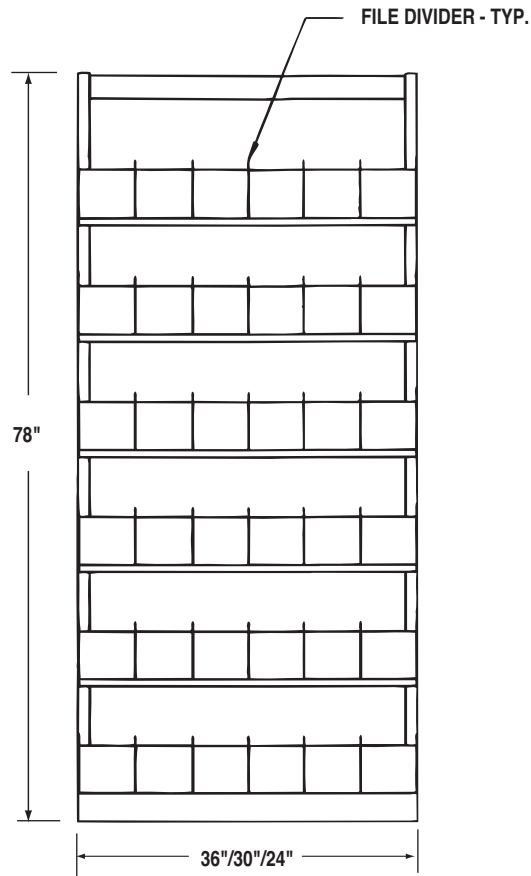
DOUBLE FACE
SECTION VIEW

A	B
20 ⁷ / ₁₆ "	10"
24 ⁷ / ₁₆ "	12"
32 ⁷ / ₁₆ "	14"
32 ⁷ / ₁₆ "	16"



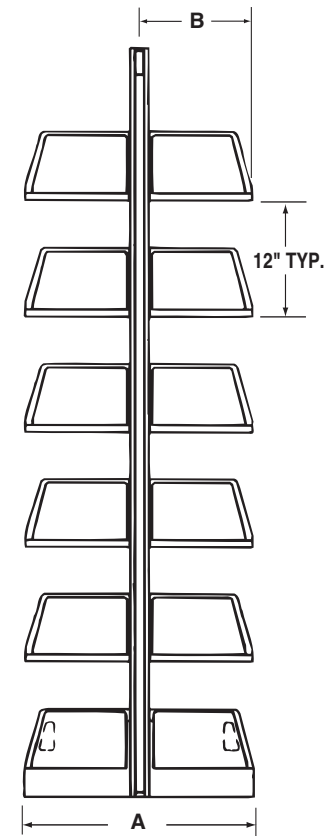
SINGLE FACE
SECTION VIEW

A	B
11 ³ / ₈ "	10"
13 ³ / ₈ "	12"
17 ³ / ₈ "	14"
17 ³ / ₈ "	16"



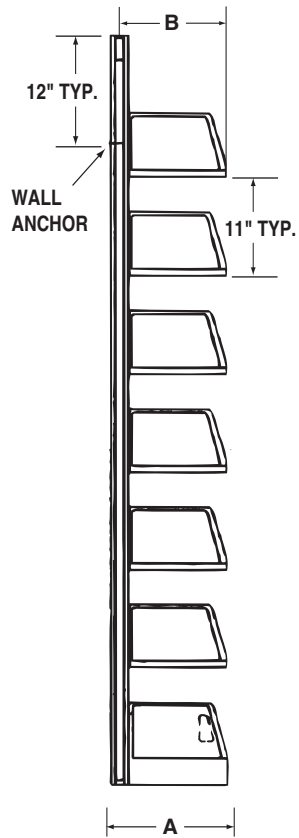
FRONT VIEW

DIVIDER UNIT ELEVATIONS 78"



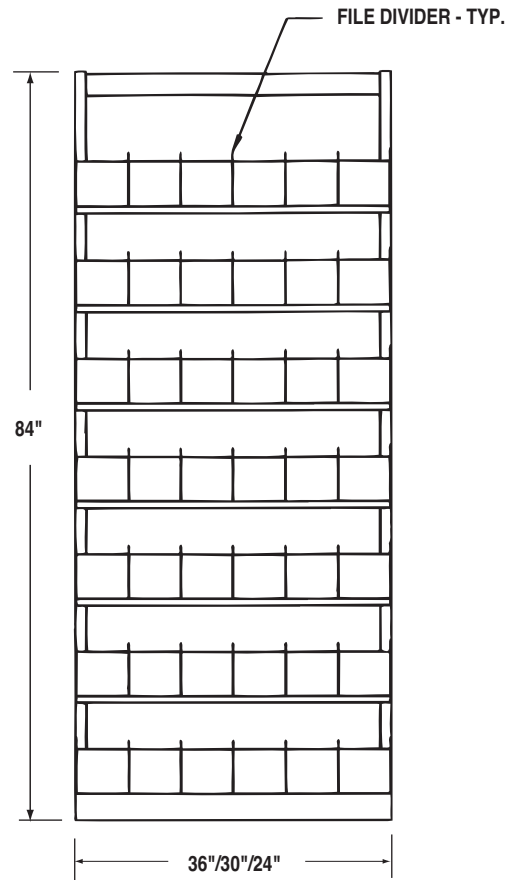
DOUBLE FACE
SECTION VIEW

A	B
20 ⁷ / ₁₆ "	10"
24 ⁷ / ₁₆ "	12"
32 ⁷ / ₁₆ "	14"
32 ⁷ / ₁₆ "	16"



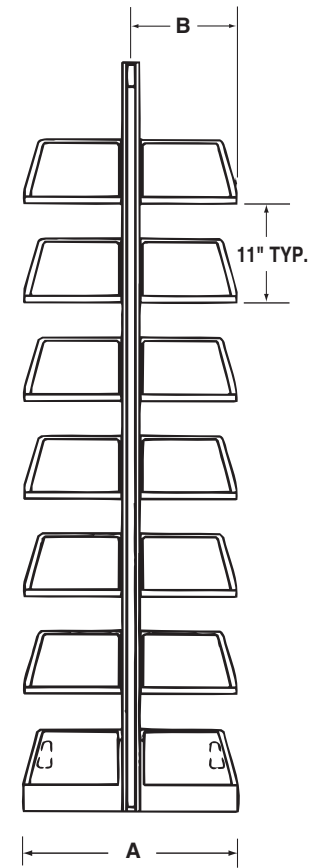
SINGLE FACE
SECTION VIEW

A	B
11 ³ / ₈ "	10"
13 ³ / ₈ "	12"
17 ³ / ₈ "	14"
17 ³ / ₈ "	16"



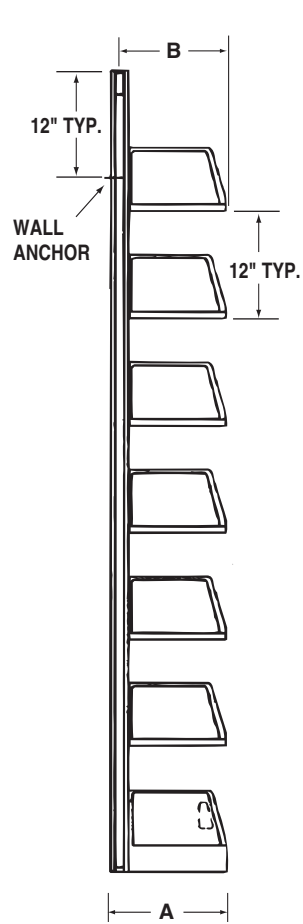
FRONT VIEW

DIVIDER UNIT ELEVATIONS 84"



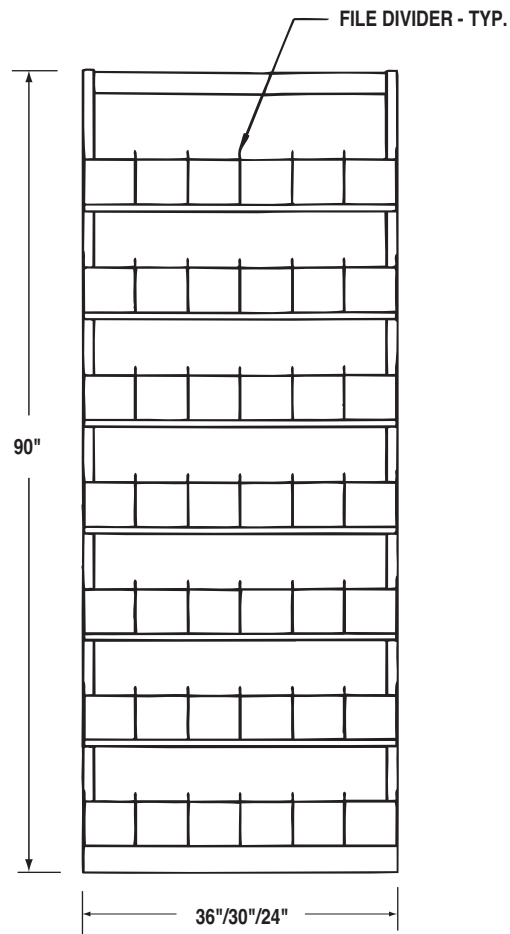
DOUBLE FACE
SECTION VIEW

A	B
20 ⁷ / ₁₆ "	10"
24 ⁷ / ₁₆ "	12"
32 ⁷ / ₁₆ "	14"
32 ⁷ / ₁₆ "	16"



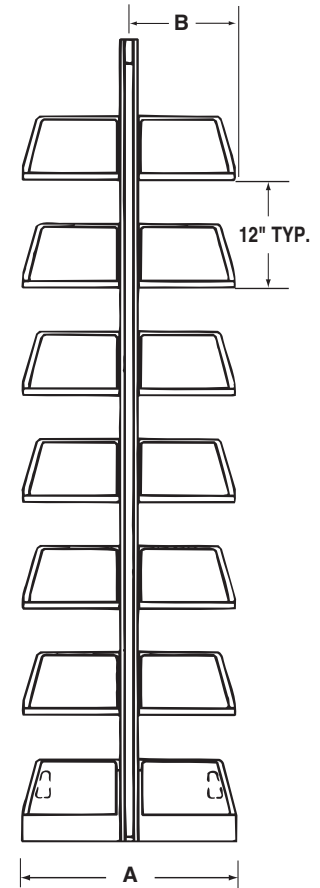
SINGLE FACE
SECTION VIEW

A	B
11 ³ / ₈ "	10"
13 ³ / ₈ "	12"
17 ³ / ₈ "	14"
17 ³ / ₈ "	16"



FRONT VIEW

DIVIDER UNIT ELEVATIONS 90"



DOUBLE FACE
SECTION VIEW

A	B
20 ⁷ / ₁₆ "	10"
24 ⁷ / ₁₆ "	12"
32 ⁷ / ₁₆ "	14"
32 ⁷ / ₁₆ "	16"



3002 N. BURDICK STREET ■ KALAMAZOO, MI 49004-3483
800-748-0227 ■ FAX 269-342-4161 ■ www.borroughs.com

ISO 9001:2000 Registered
ISO 14001:2004 Registered